

# ADJUSTABLE CURRENT SENSING RELAY

SPECIFICATIONS (@ 25 °C)

**CURRENT SENSING:**  
 Sense Current Range: 1.5 to 15 Amperes  
 Repeatability: ± 2% at constant Voltage & Temperature  
 ± 10% over Voltage & Temperature Range.  
 Input Current: 15 mA (1.7 VA)  
 Current Sensor Resistance: 5 Milliohms  
 Temperature Range Operate: - 10 °C to + 55 °C  
 Temperature Range Storage: - 40 °C to + 85 °C

**CONTACTS**  
 Contact Combinations: SPDT (1 Form C)  
 Contact Rating: 10 Amps @ 120 VAC, 6 Amps @ 28 VDC.  
 Transient: 2000 V rms for 5 Microseconds

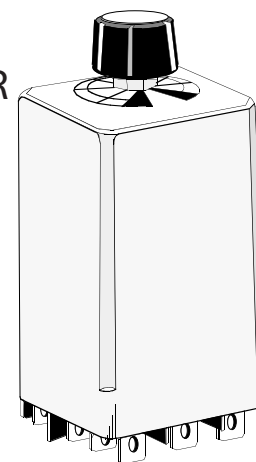
**LIFE EXPECTANCY;**  
 Electrical: 200,000 Operations @ Rated Load  
 Mechanical: 5,000,000 Operations @ No Load

**DIELECTRIC STRENGTH**  
 Coil to Contacts: 2500 V rms  
 Across Open Contacts: 500 V rms

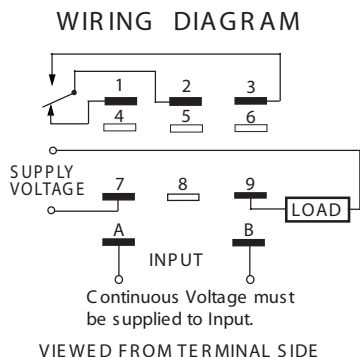
**MECHANICAL**  
 Terminals: Choice of 1/4" or 3/16" Quick Connect terminals.  
 Mounting: 6-32 Tapped Hole & anti rotation Tab or Plug-in with 3/16" terminals.  
 Mounting Bracket: Optional.  
 Enclosure: Polycarbonate dust cover.  
 Weight: 4 oz. (113 g) approx.

## 235 SERIES CURRENT SENSOR

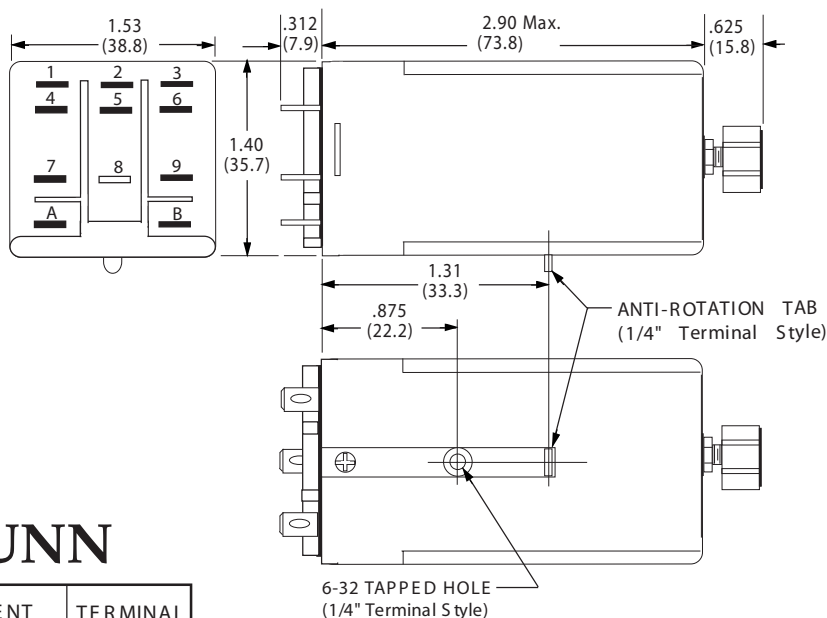
± 2 % REPEATABILITY  
 SPDT, 10 AMP CONTACTS  
 FIELD ADJUSTABLE CURRENT  
 SETTINGS.



The Class 235 Current Sensing Relay combines a Solid State Sensor with a SPDT, 10 Amp relay. The Sensor is field adjustable for detecting AC Current levels in equipment. The sensor is non-latching and has no time delay.



**OUTLINE DIMENSIONS**  
 Dimensions are Shown In Inches and (Millimeters)



## STRUTHERS-DUNN

PART NUMBERS	NOMINAL INPUT VOLTAGE	CURRENT RANGE	TERMINAL SIZE
W235ACX-2	120 VAC	1.5 to 15 Amps	1/4" (.250)
W235ACX-3	120 VAC	1.5 to 15 Amps	3/16" (.187)

OTHER CURRENT RANGES AND VOLTAGES AVAILABLE  
 NOTE: 3/16" (.187) TERMINALS ARE SOCKET MOUNTABLE.  
 1/4" (.250) TERMINALS, NO SOCKET AVAILABLE FOR THIS STYLE.