

NH Bases



Product description

Eaton's Bussmann™ series NH Bases have been designed with thermoplastic bodies DIN-Rail and/or screw mounting (size 4 screw mounting only).

This range comes with accessories including phase barriers: IP20 finger safe protection kits (IEC only) and neutral links.

Microswitch also available for remote signaling of fuse link operation.

Standard features

- Complies with IEC 60269-1 and 2 fuse system A (NH Base), manufacturers type test certificates of compliance available.
- 3-pole integral NH00 Base available with reduced width
- Clip-in phase barriers, terminal shrouds and fuse covers available
- Vibration tested to IEC 60068-2-6 for marine use

Catalogue symbol

- 1-pole DIN-Rail and screw mounting: SD(size)-D
- 1-pole screw mounting only: SD(size)-S
- 3-pole DIN-Rail and screw mounting: TD(size)-D
- 3-pole Integral DIN-Rail and screw mounting: TD00-DxI (see catalogue numbers for details)

Technical data

- Rated voltage:
 - 690 V a.c. IEC
 - 1000 V a.c. UL for SD1-D only
- Rated current: 160 to 1600 A
- Rated for fuse links with breaking capacity of 120 kA

Standard/Approvals

- IEC 60269-1 and 2
- VDE 0636-1 and 2

Packaging

- 1-pole: 3
- 3-pole and SD4: 1

Technical data

| Fuse base catalogue numbers | | SD00-D TD00-D TD00-DI | SD1-D TD1-D | SD2-D TD2-D | SD3-D TD3-D | SD4-S | SD4-S1600 |
|--|----------------------|-----------------------------|----------------|----------------|----------------|-------|-----------|
| Base | | Glass filled PBT | | | | | |
| Contacts | | Silver plated copper | | | | | |
| Screw, nuts and washers | | Zinc clear plated steel | | | | | |
| Derating temperature factors for maximum current | ≤ 35°C | 1 | 1 | 1 | 1 | 1 | 1 |
| | 40°C | 0.95 | 0.95 | 0.95 | 0.95 | 0.95 | 0.95 |
| | 50°C | 0.85 | 0.85 | 0.85 | 0.85 | 0.85 | 0.85 |
| Maximum power acceptance | | 12W | 32W | 45W | 60W | 110W | 145W |
| IP20 finger safe protection kits (IEC only) | | ✓ | ✓ | ✓ | ✓ | ✗ | ✗ |
| Terminal screw | | M8 | M10 | M10 | M12 | M16 | M16 |
| Maximum tightening torque terminal screw | | 10N•m | 32N•m | 32N•m | 32N•m | 56N•m | 56N•m |
| Fixing | DIN-Rail | ✓ | ✓ | ✓ | ✓ | ✗ | ✗ |
| | Screw | ✓ | ✓ | ✓ | ✓ | ✓ | ✓ |
| With microswitch 16A/250V | Fuse operated signal | ✓ | ✓ | ✓ | ✓ | ✗ | ✗ |
| Operating temperature range | | -20 to 70°C | | | | | |
| Storage temperature range | | -40 to 80°C | | | | | |

NH Bases

1-pole and 3-pole non integral NH Bases - Catalogue numbers

| Compatible NH Fuse link body size | Poles | Current (Amps) | DIN-Rail and screw mounting | Screw mounting only | Pack quantity | Compatible fuse links |
|-----------------------------------|--------|----------------|-----------------------------|---------------------|---------------|---------------------------------------|
| 00 | 1-pole | 160 | SD00-D | SD00-S | 3 | 400/500/690 V NH gG and aM fuse links |
| | 3-pole | 160 | TD00-D | N/A | 1 | |
| 1 | 1-pole | 250 | SD1-D | SD1-S | 3 | |
| | 3-pole | 250 | TD1-D | N/A | 1 | |
| 2 | 1-pole | 400 | SD2-D | SD2-S | 3 | |
| | | 400 | SD2-DD* | N/A | 3 | |
| | 3-pole | 400 | TD2-D | N/A | 1 | |
| | | 400 | TD2-DD* | N/A | 1 | |
| 3 | 1-pole | 630 | SD3-D* | SD3-S | 3 | |
| | 3-pole | 630 | TD3-D* | N/A | 1 | |
| 4 | 1-pole | 1250 | N/A | SD4-S | 1 | |
| | | 1600 | N/A | SD4-S1600 | 1 | |

*Double fuse contact clips

1-pole and 3-pole non integral NH base - Catalogue numbers structure

| Poles | Compatible NH Fuse links body size | Mounting type |
|-------------------------|--|--|
| SD = Single pole | 00 = Compatible for NH fuse links body size 00 | D = DIN-Rail and screw mounting |
| TD = Triple pole | 1 = Compatible for NH fuse links body size 1 | DD = Double fuse contact clips |
| | 2 = Compatible for NH fuse links body size 2 | S = Screw mounting only |
| | 3 = Compatible for NH fuse links body size 3 | S1600 = Screw mounting only, 1600 A |
| | 4 = Compatible for NH fuse links body size 4 (Single pole only) | |

For example catalogue number **SD2-D** represents a 1-pole **SD** NH Fuse base, suitable for a NH fuse link body size **2** fuse link, **S** screw mounting only

3-pole Integral NH Base parts - Catalogue numbers

| Catalogue numbers | Line side mounting | Load side mounting | Compatible NH Fuse link body size | Poles | Current (Amps) | Pack quantity | Compatible NH fuse links |
|-------------------|----------------------|----------------------|-----------------------------------|--------|----------------|---------------|---------------------------------------|
| TD00-DI | Screw mounting holes | Screw mounting holes | 00 | 3-pole | 160 | 1 | 400/500/690 V NH gG and aM fuse links |
| TD00-DCI | Clinch nut | Clinch nut | | | | | |
| TD00-DPI | Pressure plate | Pressure plate | | | | | |
| TD00-DBI | 70 mm fixed box lug | 70 mm fixed box lug | | | | | |
| TD00-DCPI | Clinch nut | Pressure plate | | | | | |
| TD00-DCBI | Clinch nut | 70 mm fixed box lug | | | | | |
| TD00-DPBI | Pressure plate | 70 mm fixed box lug | | | | | |

3-pole Integral NH Base parts - Catalogue numbers structure

| Poles | Compatible NH Fuse links size | Line side mounting/ Load side mounting | Integral NH Base |
|-------------------------|---|--|-----------------------------|
| TD = Triple pole | 00 = Compatible for NH fuse links body size 00 | I = Integral base screw mounting/screw mounting | I = Integral NH Base |
| | | C = Clinch nut/clinch nut | |
| | | P = Pressure plate/pressure plate | |
| | | B = 70 mm fixed box lug/70 mm fixed box lug | |
| | | CP = Clinch nut/pressure plate | |
| | | CB = Clinch nut/70 mm fixed box lug | |
| | | PB = Pressure plate/70 mm fixed box lug | |

For example catalogue number **TD00-CPI** represents a 3-pole **TD** NH Fuse base, suitable for a NH fuse link body size **00**, with **C** clinch nut load side mounting and **P** pressure plate load side mounting, **I** integral base

Solid links catalogue numbers

| NH fuse link body size | Current (Amps) | Catalogue numbers | Pack quantity |
|------------------------|----------------|-------------------|---------------|
| NH00 | 160 | SDL-00 | 3 |
| NH1 | 250 | SDL-1 | 3 |
| NH2 | 400 | SDL-2 | 3 |
| NH3 | 630 | SDL-3 | 3 |



Solid link

Accessories

Fuse extraction handle

| NH fuse link body size | Current (Amps) | Catalogue numbers | Pack quantity |
|------------------------|----------------|-------------------|---------------|
| NH00-3 | 160 - 630 | FEH | 1 |



Fuse extraction handle

Shroud kits

| Fuse base range | NH fuse link body size | Current (Amps) | Catalogue numbers | Description |
|-----------------|------------------------|----------------|-------------------|---|
| SD00 | NH00 | 160 | SD00-SK | |
| SD1 | NH1 | 250 | SD12-SK | Kit includes 2 shrouds and 1 fuse cover |
| SD2 | NH2 | 400 | SD12-SK | |
| SD3 | NH3 | 630 | SD3-SK | |



Shroud kit

Phase barrier kit

| NH fuse link body size | Current (Amps) | Catalogue numbers | Pack quantity | Description |
|------------------------|----------------|-------------------|---------------|--------------------------------------|
| NH00 | 160 | SD00-PB | 1 | 2-Phase barriers |
| NH1 | 250 | SD12-PB | 1 | 2-Phase barriers and 2 ganging links |
| NH2 | 400 | SD12-PB | 1 | |
| NH3 | 630 | SD3-PB | 1 | |



Phase barrier



Ganging link

Accessories

IP Protection Kits



| NH fuse link body size | Current (Amps) | Catalogue numbers | Fuse cover | Shroud | Phase barrier | Ganging link | Integral kit | Description |
|------------------------|----------------|-------------------|------------|--------|---------------|--------------|--------------|--|
| NH00 | 160 | TD00-IP20 | 3 | 6 | 2 | | | Triple pole protection kit for TD00-D with shrouds, fuse covers and phase barriers |
| | | TD00-IP20I | | | | | 1 | Integral triple pole protection kit for TD00-DI with molded shrouds and phase barriers |
| | | TD00-IP20IC | 3 | | | | 1 | Integral triple pole protection kit for TD00-DI with fuse covers and molded shrouds and phase barriers |
| NH1 | 250 | TD1-IP20 | 3 | 6 | 2 | 2 | | Triple pole protection kit with terminal shrouds, fuse cover phase barriers and ganging links |
| NH2 | 400 | TD2-IP20 | | | | | | |
| NH3 | 630 | TD3-IP20 | | | | | | |



TD00-IP20



TD00-IP20I



TD00-IP20IC



TD(size 1 to 3)-IP20

Microswitch

| Catalogue numbers | Pack quantity | Ratings |
|-------------------|---------------|----------------|
| BVL50 | 1 | 5 A 250 V a.c. |
| 170H0236 | 12 | 2 A 250 V a.c. |
| 170H0238 | 12 | 2 A 250 V a.c. |



BVL50



170H0236

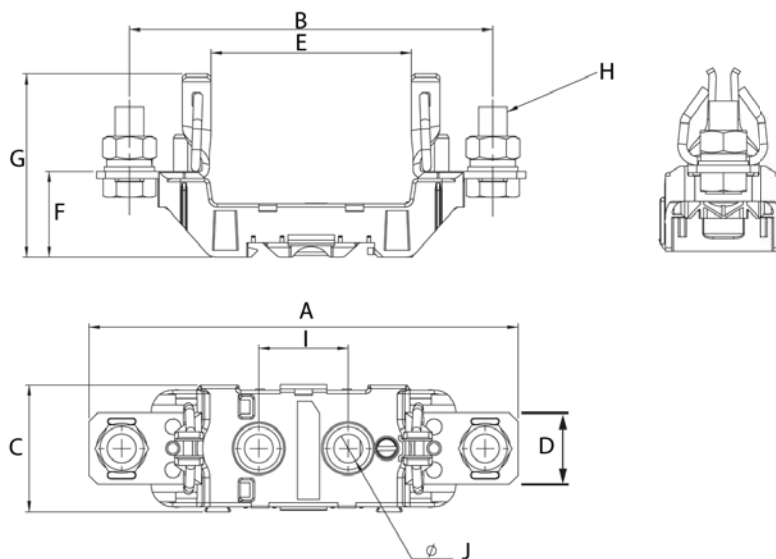
Microswitch suitable for the following NH fuse links:

- 400 Volts gG/gL
- 500 Volts gG/gL and aM
- 690 Volts gG/gL and aM.

Note: Microswitches fit onto the fuse gripping lugs and are applicable to all Bussmann series NH fuses.

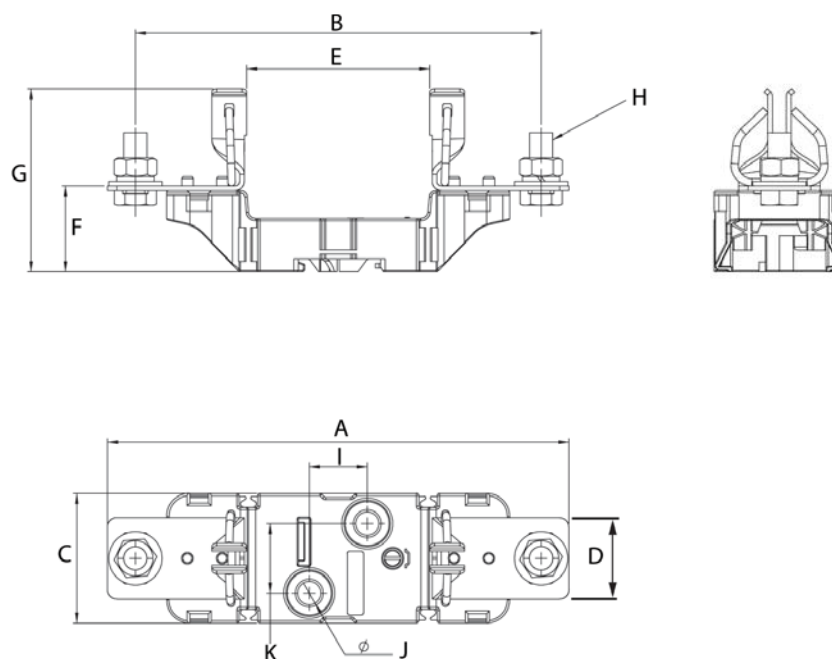
NH Bases

Dimensions (mm) 1-pole, size 00



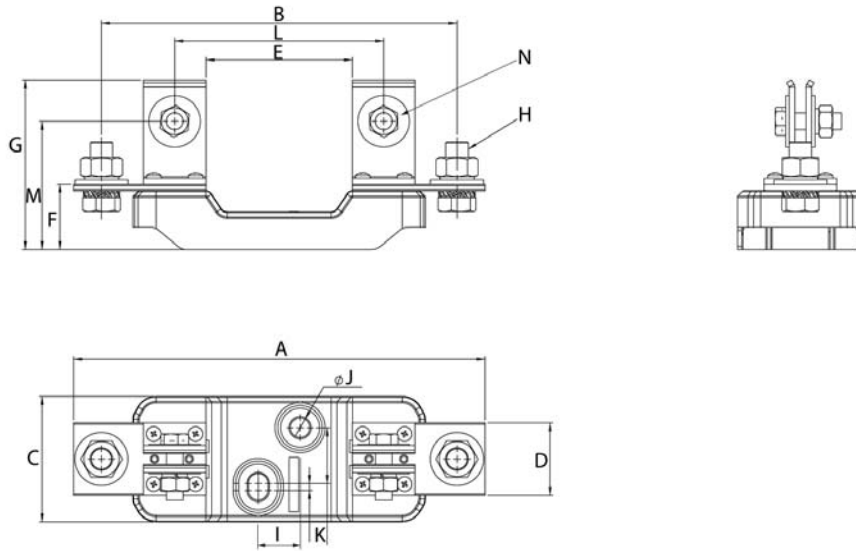
| NH fuse link body size | Pole | A | B | C | D | E | F | G | H | I | J |
|------------------------|--------|-----|-----|------|----|----|----|----|-------|----|---|
| NH00 | 1-pole | 120 | 102 | 35.5 | 20 | 56 | 24 | 51 | M8x20 | 25 | 8 |

Dimensions (mm) 1-pole, sizes 1, 2 and 3



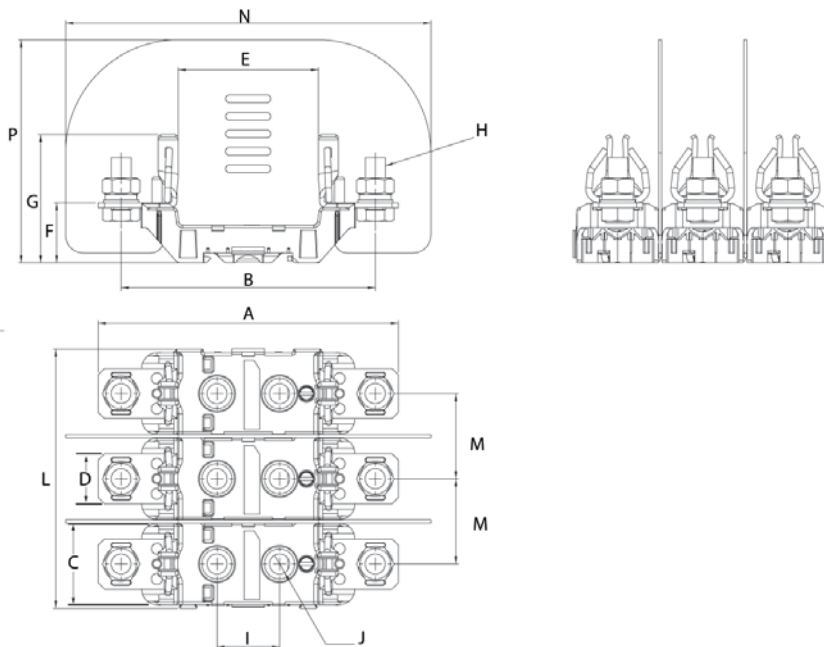
| Fuse body size | Poles/Type | A | B | C | D | E | F | G | H | I | J | K |
|----------------|--------------------|-----|-----|----|----|----|------|----|--------|----|----|----|
| NH1 | 1-pole | 199 | 175 | 56 | 35 | 79 | 37 | 78 | M10x25 | 25 | 10 | 30 |
| NH2 | 1 pole | 224 | 199 | 56 | 35 | 79 | 37.5 | 86 | M10x25 | 25 | 10 | 30 |
| | 1-pole double clip | 223 | 199 | 56 | 35 | 82 | 37 | 79 | M10x25 | 25 | 10 | 30 |
| NH3 | 1-pole | 239 | 209 | 56 | 36 | 82 | 37.5 | 88 | M12x30 | 25 | 10 | 30 |

Dimensions (mm) 1-pole, size 4



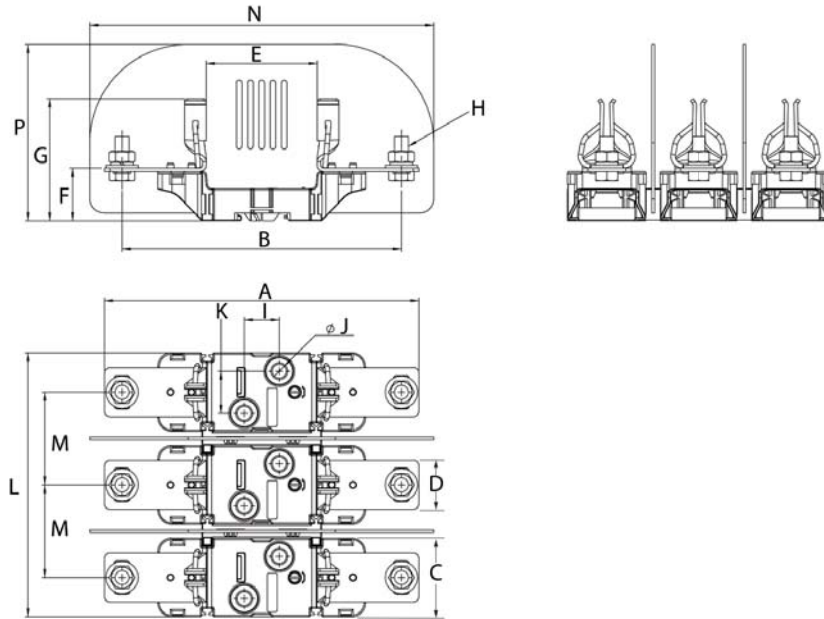
| NH fuse link body size | | A | B | C | D | E | F | G | H | I | J | K | L | M | N |
|------------------------|--------------|-----|-----|----|----|-----|----|-----|--------|----|----|----|-----|----|--------|
| NH4 | 1-pole 1250A | 295 | 255 | 90 | 52 | 105 | 47 | 122 | M16x40 | 30 | 14 | 40 | 150 | 92 | M12x40 |
| | 1-pole 1600A | 295 | 255 | 90 | 60 | 105 | 50 | 125 | M16x40 | 30 | 14 | 40 | 150 | 92 | M12x40 |

Dimensions (mm) 3-pole, size 00



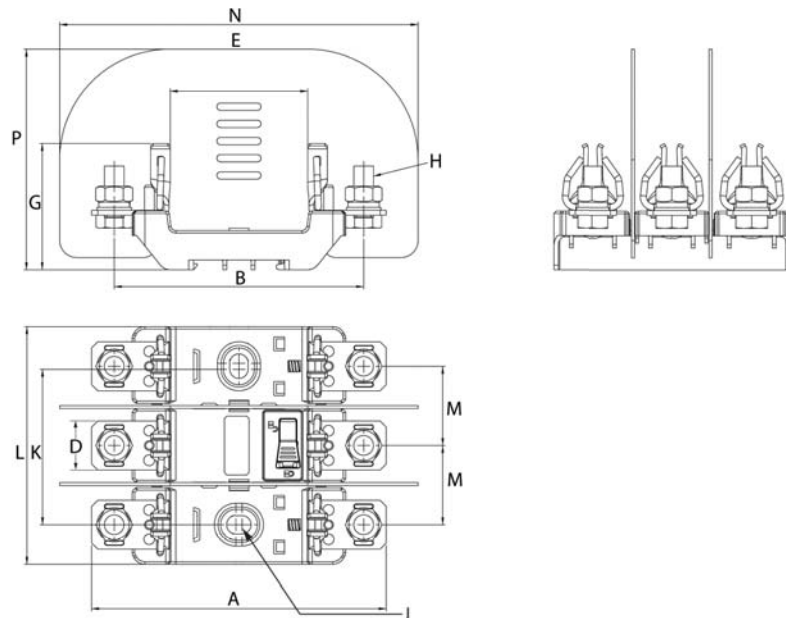
| NH fuse link body size | | A | B | C | D | E | F | G | H | I | J | K | L | M | N | P |
|------------------------|--------|-----|-----|------|----|----|----|----|-------|----|---|---|-------|----|-----|----|
| NH00 | 3-pole | 120 | 102 | 35.5 | 20 | 56 | 24 | 51 | M8x20 | 25 | 8 | - | 103.5 | 34 | 146 | 89 |

Dimensions (mm) 3-pole, sizes 1, 2 and 3



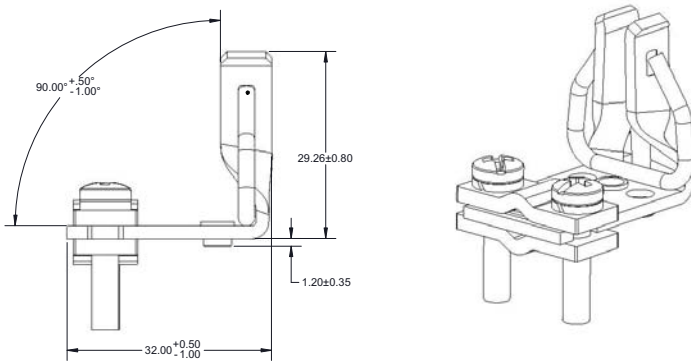
| NH Fuse link body size | Poles/Type | A | B | C | D | E | F | G | H | I | J | K | L | M | N | P |
|------------------------|--------------------|-----|-----|----|----|----|------|----|--------|----|----|----|-----|------|-----|-------|
| NH1 | 3-pole | 199 | 175 | 56 | 35 | 79 | 37 | 78 | M10x25 | 25 | 10 | 30 | 188 | 66 | 245 | 125.5 |
| NH2 | 3-pole | 224 | 199 | 56 | 35 | 79 | 37.5 | 86 | M10x25 | 25 | 10 | 30 | 188 | 66 | 245 | 125.5 |
| | 3-pole double clip | 223 | 199 | 56 | 35 | 82 | 37 | 79 | M10x25 | 25 | 10 | 30 | 188 | 66 | 245 | 125.5 |
| NH3 | 3-pole | 239 | 209 | 56 | 36 | 82 | 37.5 | 88 | M12x30 | 25 | 10 | 30 | 221 | 82.5 | 260 | 137.5 |

Dimensions (mm) integral 3-pole, size 00

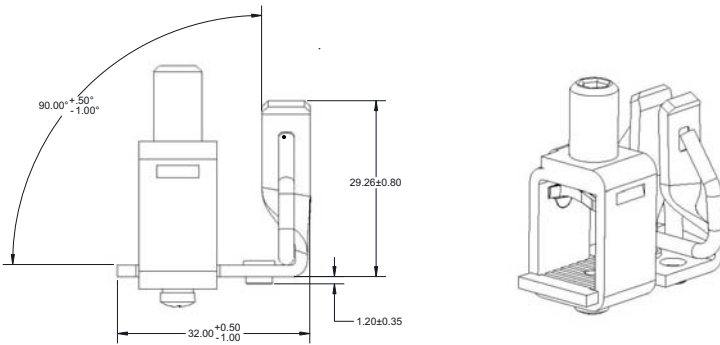


| NH fuse link body size | Poles/Type | A | B | C | D | E | F | G | H | I | J | K | L | M | N | P |
|------------------------|-----------------|-----|-----|---|----|----|----|----|-------|---|--------|------|----|------|-----|----|
| NH00 | 3-pole Integral | 120 | 102 | - | 20 | 56 | 24 | 51 | M8x20 | - | 7.5x10 | 63.5 | 97 | 32.3 | 146 | 90 |

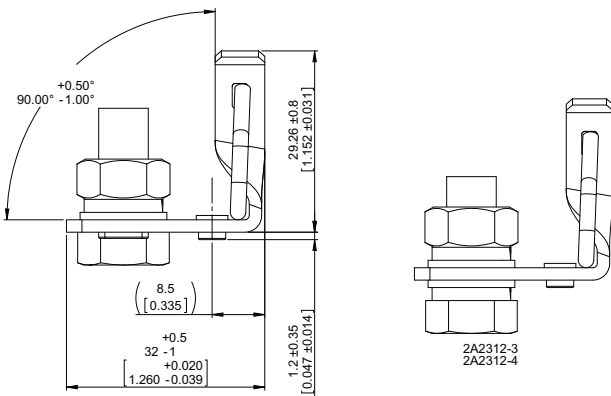
Fixings dimensions (mm) for integral 3-pole NH Base



Pressure plate



Box lug



Clinch nut

Eaton
 EMEA Headquarters
 Route de la Longeraie 7
 1110 Morges, Switzerland

Eaton Electrical Products Limited
 Melton Road
 Burton-on-the-Wolds
 Leicestershire, LE12 5TH
 United Kingdom

© 2017 Eaton
 All Rights Reserved
 PDF Only
 Publication No. 10163
 June 2018

Changes to the products, to the information contained in this document, and to prices are reserved; so are errors and omissions. Only order confirmations and technical documentation by Eaton is binding. Photos and pictures also do not warrant a specific layout or functionality. Their use in whatever form is subject to prior approval by Eaton. The same applies to Trademarks (especially Eaton, Moeller, and Cutler-Hammer). The Terms and Conditions of Eaton apply, as referenced on Eaton Internet pages and Eaton order confirmations.

Eaton is a registered trademark.

All other trademarks are property of their respective owners.

Mouser Electronics

Authorized Distributor

Click to View Pricing, Inventory, Delivery & Lifecycle Information:

[Eaton:](#)

[SB4-S](#) [TD00-D](#) [TD1-D](#) [SD12-SK](#) [SD12-PB](#) [SD1-D](#) [TD1-IP20](#) [SD3-SK](#) [SD3-D-PV](#) [SD3-D](#) [TD3-D](#) [SD2-D-PV](#)
[SD2-D](#) [SD3-PB](#) [TD00-DI](#) [TD2-IP20](#) [TD3-IP20](#) [SD00-S](#) [TD00-DI20IC](#) [TD2-D](#) [FEH](#) [FEH-IB](#) [FEH-1500](#)