

Bussmann series NH photovoltaic fuse links



Product description

Eaton's Bussmann series NH size photovoltaic fuse links are specifically designed to protect and isolate photovoltaic array combiners and disconnects.

These fuse links are capable of interrupting low overcurrents associated with faulted PV systems (reverse current, multi-array fault).

Standard features

- Compact design
- Low power loss
- Global accreditations
- Dual indicator feature
- Variation of fixing options
- Compatible with Bussmann series PV NH base range (see data sheet 720136)

Catalogue symbol

- Blade without bolt holes: PV-ratingNH(size)
- Blade with bolt holes PV-ratingNH(size)-B
- Blade with bolt holes and lugs: PV-ratingNH(size)-BL

Fuse size

- NH1, 2 and 3

Technical data

- Volts: 1000 V d.c.
- Amps: 32 to 400 A
- Breaking capacity: 50 kA
- Time constant: 1-3mS
- Class of operation: gPV and UL PV fuse links

Standards/Agency information

- IEC 60269-6
- UL 2579 (file number E335324)
- CSA listed
- RoHS compliant

Microswitches (ordered separately, only for use with bladed version)

- 170H0236
- 170H0238

Fuse holders (ordered separately, only for use with bladed version)

- SD1-D-PV
- SD2-D-PV
- SD3-D-PV

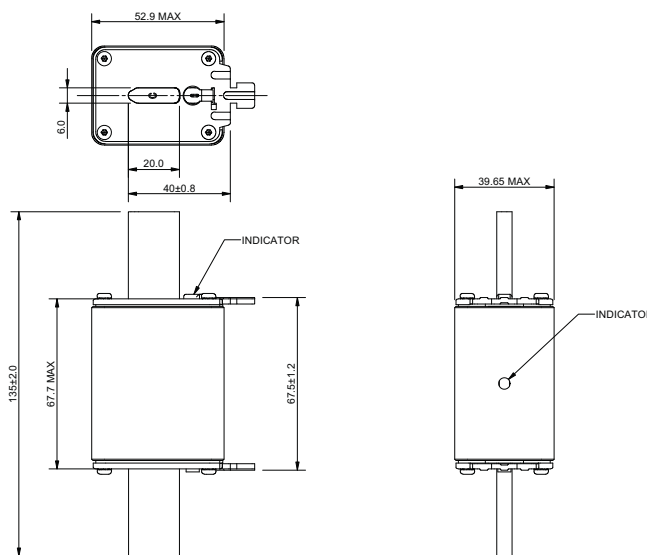
Packaging

- MOQ 3

Table 1. Technical data - Blade without bolt holes

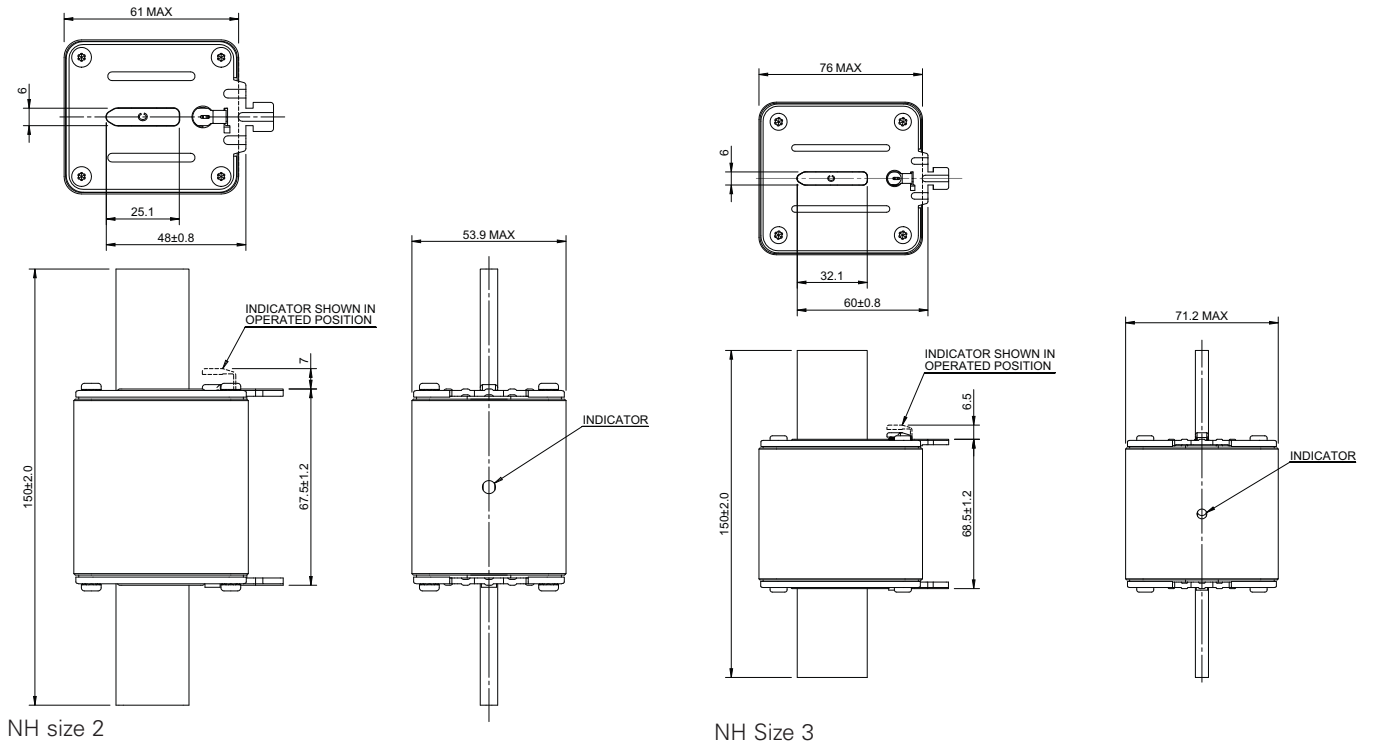
| Catalogue number | Fuse size | Current rating (amps) | Energy integrals I^2t (A ² S) | | Watts loss (W) | |
|------------------|-----------|-----------------------|--|-----------------|----------------|-------|
| | | | Pre-arcing | Total at 1000 V | $0.8I_n$ | I_n |
| PV-32ANH1 | NH1 | 32 | 80 | 720 | 4 | 8.5 |
| PV-40ANH1 | NH1 | 40 | 185 | 1670 | 5 | 9 |
| PV-50ANH1 | NH1 | 50 | 400 | 3600 | 6 | 11 |
| PV-63ANH1 | NH1 | 63 | 470 | 4300 | 6 | 12 |
| PV-80ANH1 | NH1 | 80 | 640 | 5760 | 8 | 15.5 |
| PV-100ANH1 | NH1 | 100 | 1300 | 11700 | 8 | 16.5 |
| PV-110ANH1 | NH1 | 110 | 2100 | 18900 | 9 | 18.5 |
| PV-125ANH1 | NH1 | 125 | 2600 | 23400 | 9 | 17.5 |
| PV-160ANH1 | NH1 | 160 | 5200 | 46800 | 14 | 27.5 |
| PV-175ANH1 | NH1 | 175 | 8300 | 74700 | 15 | 29 |
| PV-200ANH1 | NH1 | 200 | 10200 | 82000 | 13 | 25 |
| PV-160ANH2 | NH2 | 160 | 4600 | 37000 | 14 | 28 |
| PV-200ANH2 | NH2 | 200 | 9500 | 76000 | 16 | 32 |
| PV-250ANH2 | NH2 | 250 | 17000 | 136000 | 19 | 38 |
| PV-300ANH3 | NH3 | 300 | 32000 | 260000 | 24 | 40 |
| PV-315ANH3 | NH3 | 315 | 32000 | 260000 | 26 | 44 |
| PV-350ANH3 | NH3 | 350 | 44500 | 370000 | 27 | 45 |
| PV-355ANH3 | NH3 | 355 | 44500 | 370000 | 28 | 46 |
| PV-400ANH3 | NH3 | 400 | 67500 | 550000 | 30 | 50 |

Dimensions - Blade without bolt holes - mm

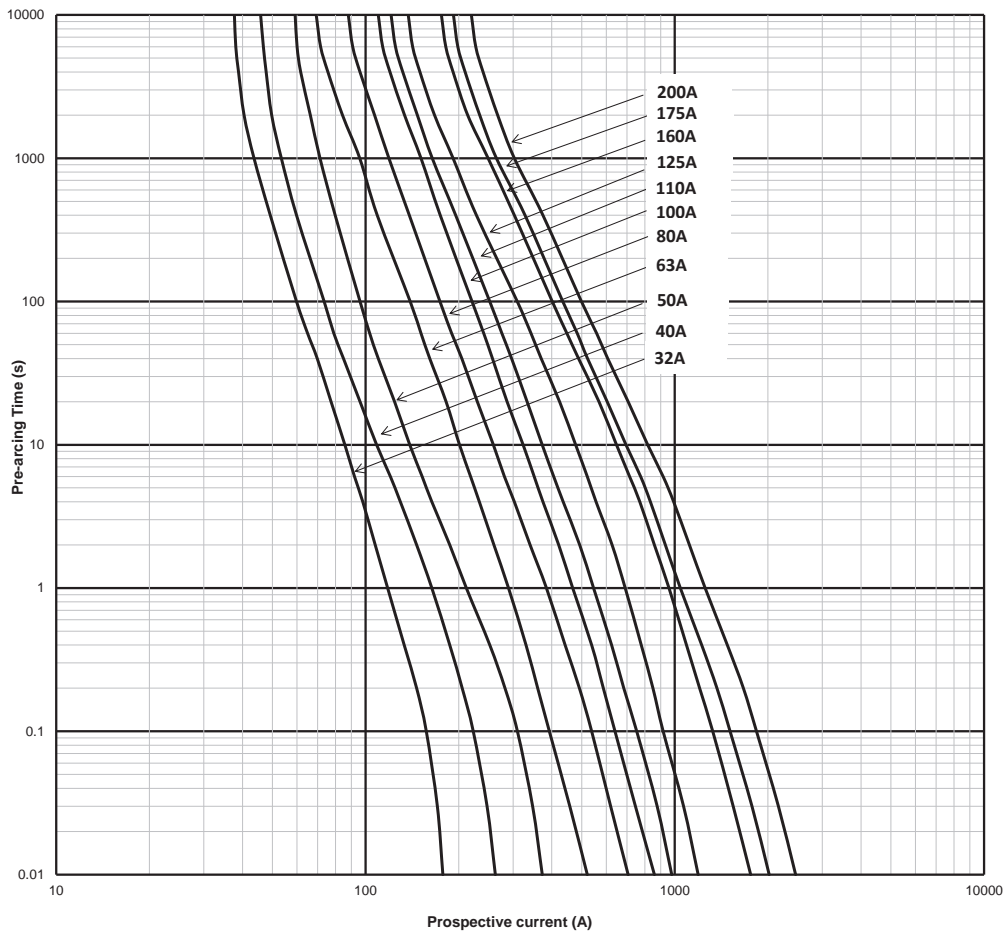


NH size 1

Dimensions - Blade without bolt holes - mm

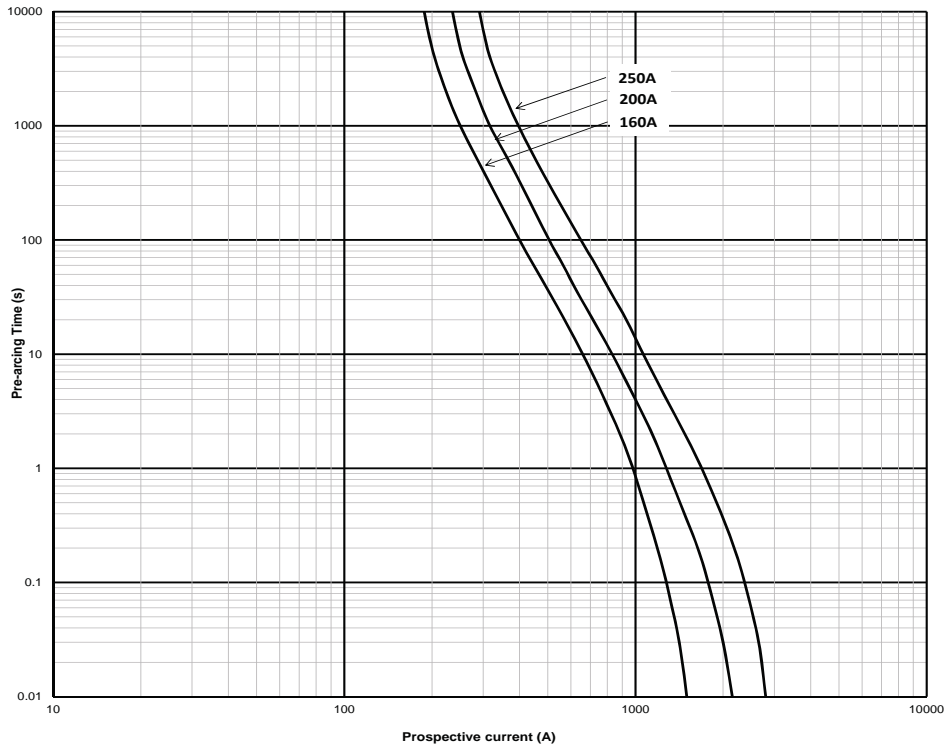


Time current-curve - Blade without bolt holes

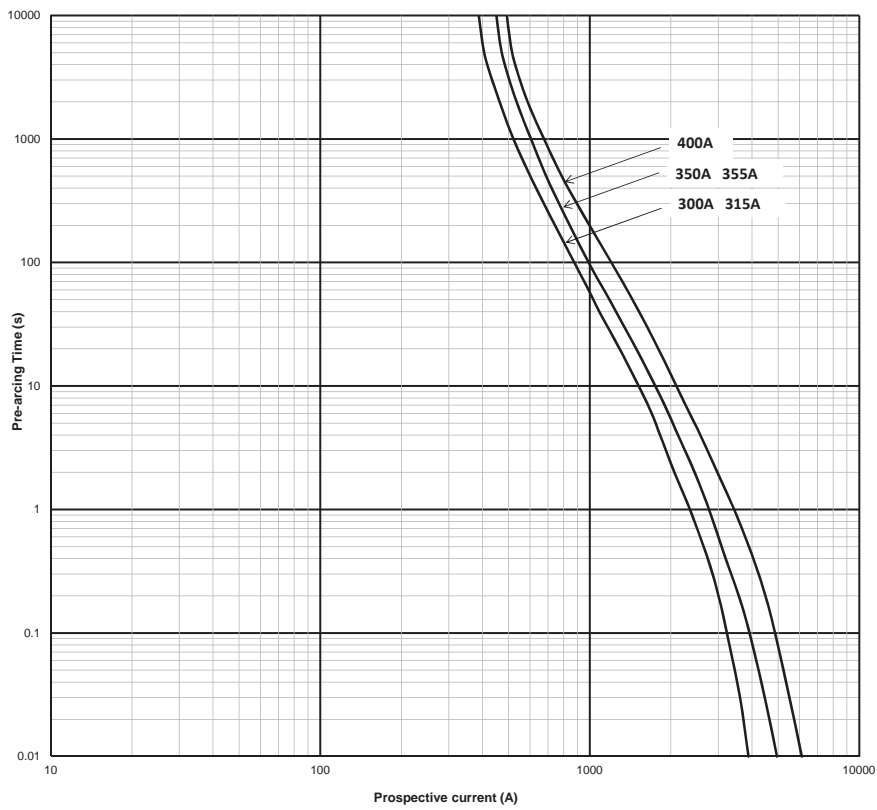


NH Size 1

Time current-curve - Blade without bolt holes



NH size 2

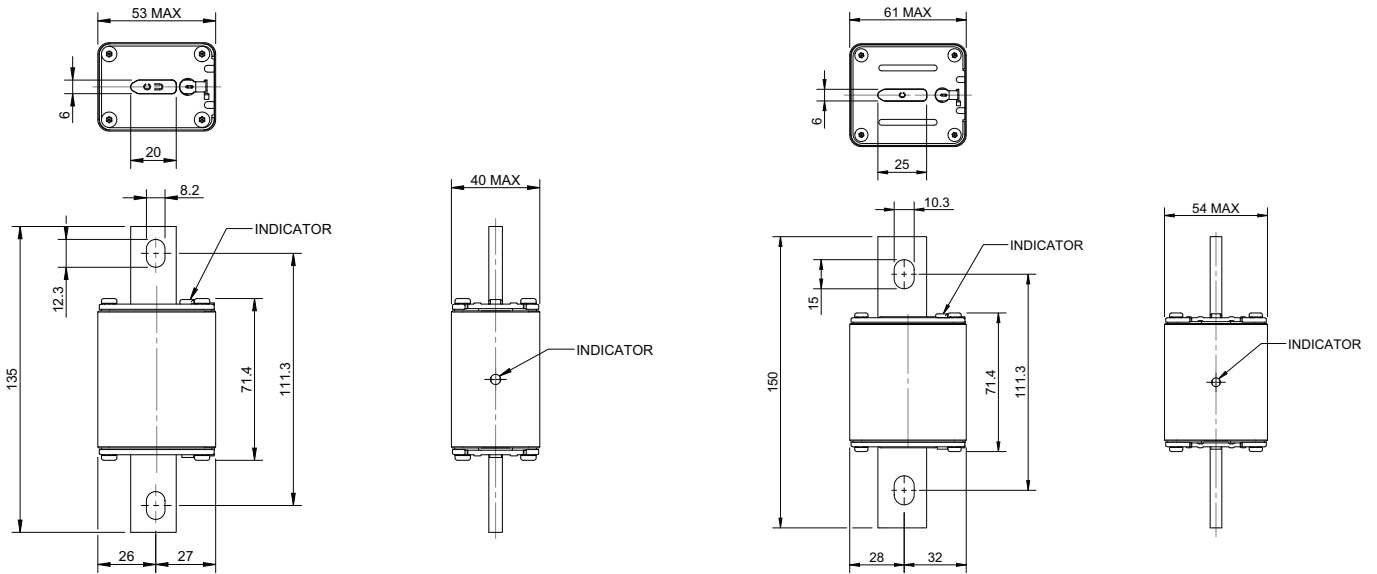


NH size 3

Table 2. Technical data - Blade with bolt holes

| Catalogue numbers | | | Current rating (amps) | Energy integrals I ² t (A ² S) | | Watts loss (w) | |
|-------------------|--------------------------|-----------|-----------------------|--|-----------------|-------------------|----------------|
| With bolt holes | With bolt holes and lugs | Fuse size | | Pre-arcing | Total at 1000 V | 0.8I _n | I _n |
| PV-63ANH1-B | PV-63ANH1-BL | NH1 | 63 | 470 | 4300 | 6 | 12 |
| PV-80ANH1-B | PV-80ANH1-BL | NH1 | 80 | 640 | 5760 | 8 | 15 |
| PV-100ANH1-B | PV-100ANH1-BL | NH1 | 100 | 1300 | 11700 | 8 | 16 |
| PV-125ANH1-B | PV-125ANH1-BL | NH1 | 125 | 2600 | 23400 | 9 | 17 |
| PV-160ANH1-B | PV-160ANH1-BL | NH1 | 160 | 5200 | 46800 | 14 | 27 |
| PV-200ANH1-B | PV-200ANH1-BL | NH1 | 200 | 10200 | 82000 | 13 | 25 |
| PV-160ANH2-B | PV-160ANH2-BL | NH2 | 160 | 4600 | 37000 | 14 | 28 |
| PV-200ANH2-B | PV-200ANH2-BL | NH2 | 200 | 9500 | 76000 | 16 | 32 |
| PV-250ANH2-B | PV-250ANH2-BL | NH2 | 250 | 17000 | 136000 | 19 | 38 |
| PV-315ANH3-B | PV-315ANH3-BL | NH3 | 315 | 32000 | 260000 | 26 | 44 |
| PV-355ANH3-B | PV-355ANH3-BL | NH3 | 355 | 38000 | 310000 | 29 | 48 |
| PV-400ANH3-B | PV-400ANH3-BL | NH3 | 400 | 61000 | 490000 | 32 | 50 |

Dimensions - Blade with bolt holes - mm

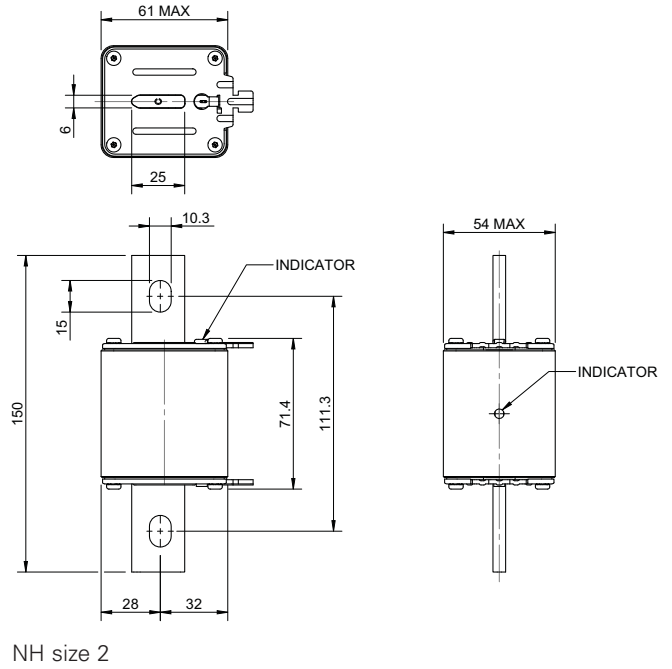
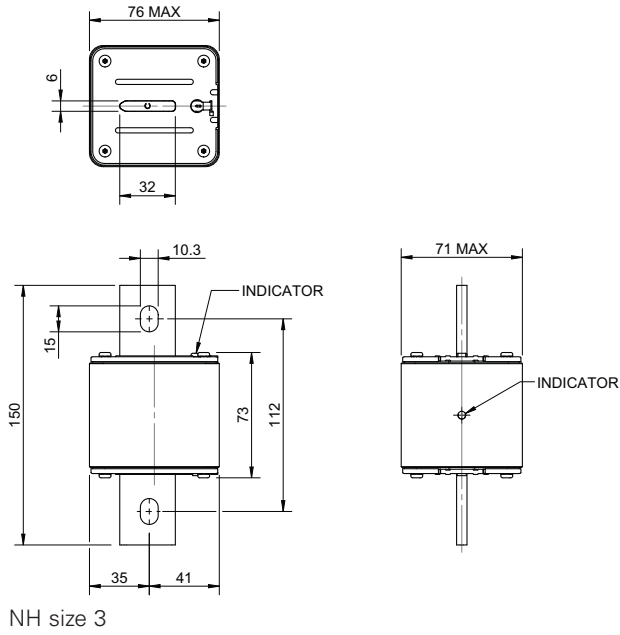


NH size 1

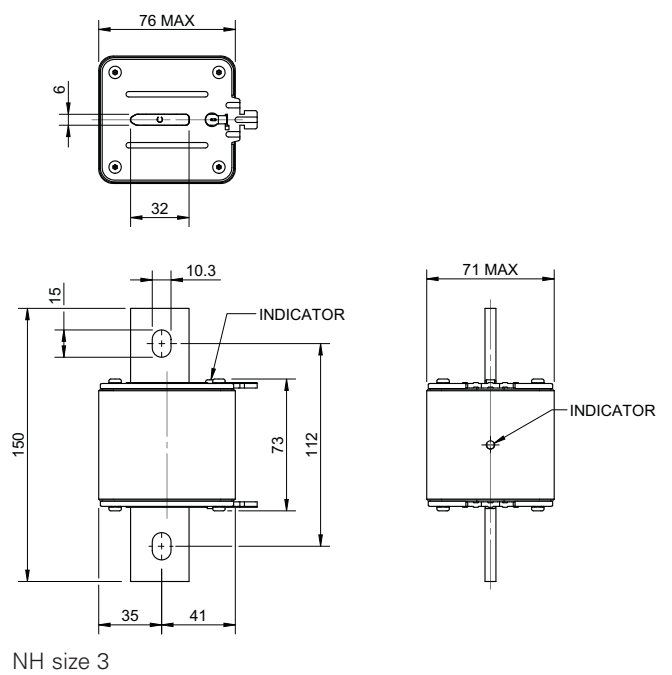
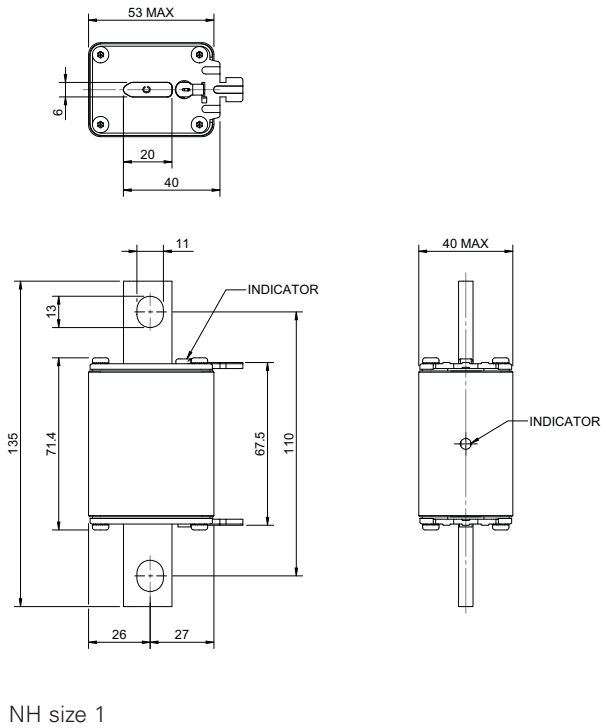
NH size 2

Dimensions - Blade with bolt holes - mm

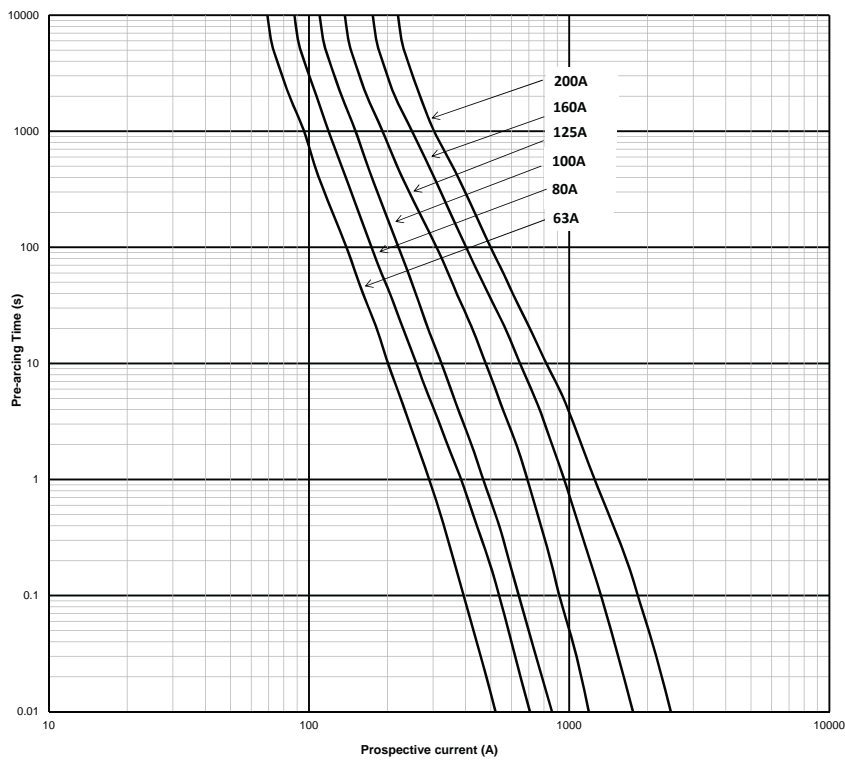
Dimensions - Blade with bolt holes and lugs - mm



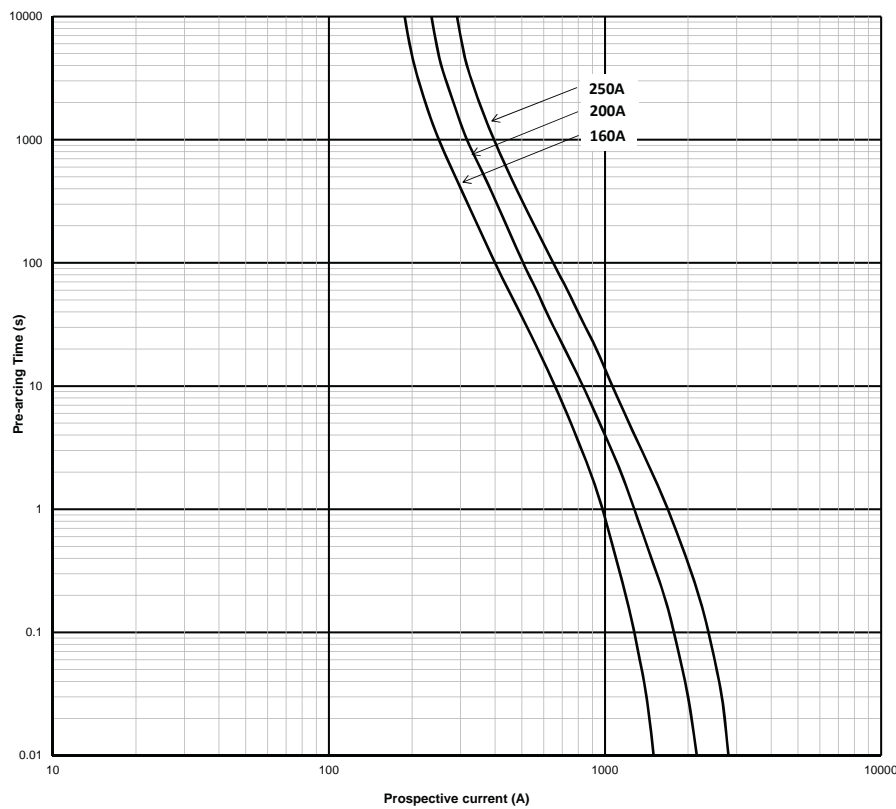
Dimensions - Blade with bolt holes and lugs - mm



Time current-curve - Blade with bolt holes, with or without lugs

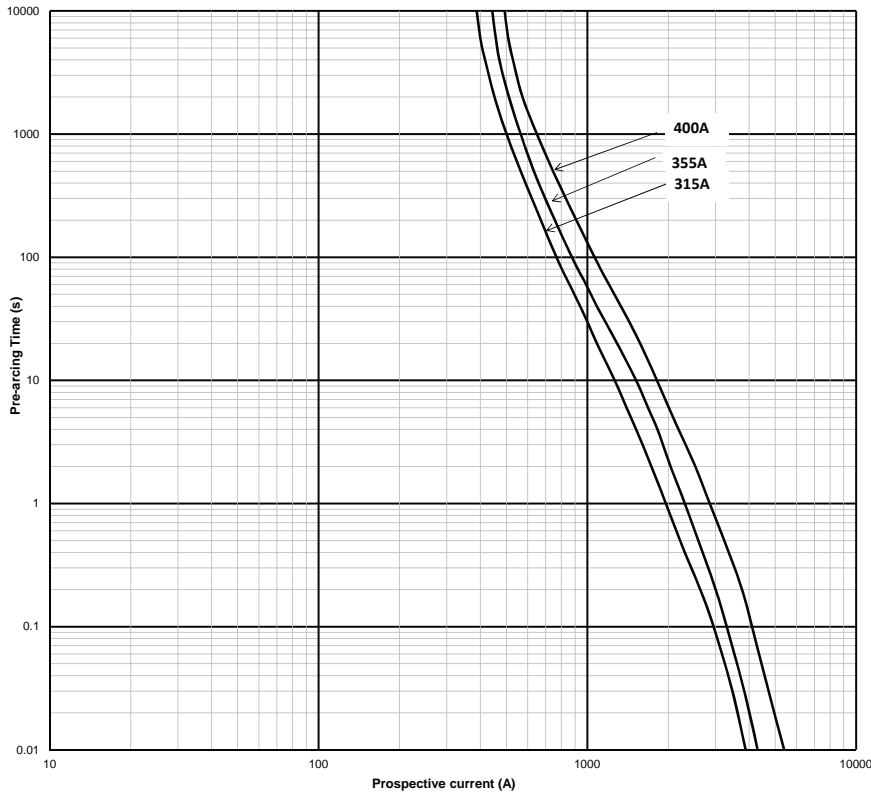


NH size 1



NH size 2

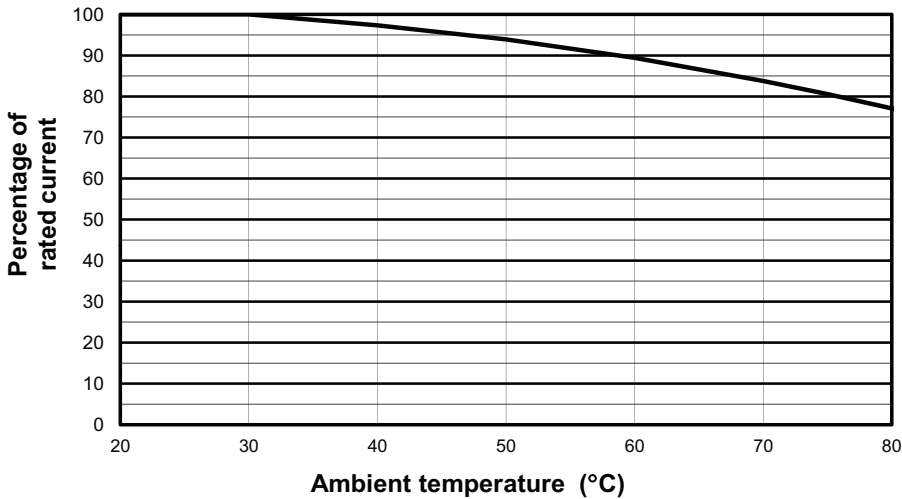
Time current-curve - Blade with bolt holes, with or without lugs



NH size 3

Temperature derating for blades without bolt holes, with bolt holes (with or without lugs)

PV Array fuse link derating with temperature



Changes to the products, to the information contained in this document, and to prices are reserved; so are errors and omissions. Only order confirmations and technical documentation by Eaton is binding. Photos and pictures also do not warrant a specific layout or functionality. Their use in whatever form is subject to prior approval by Eaton. The same applies to Trademarks (especially Eaton, Moeller, and Cutler-Hammer). The Terms and Conditions of Eaton apply, as referenced on Eaton Internet pages and Eaton order confirmations.

Eaton
EMEA Headquarters
Route de la Longeraie 7
1110 Morges, Switzerland

Electrical Sector
Eaton
Melton road, Burton-on-the-wolds
LE12 5TH, United Kingdom
Eaton.eu

© 2016 Eaton
All Rights Reserved
Publication No. 720133
January 2016