

Models JCB-3/JCB-4/JCB-5

**Indoor Current 5,000 V to 15,000 V, BIL 60 kV to 110 kV
600 A to 4,000 A, 5.56" Window 50/60 Hz**

Application

Designed for indoor service; suitable for operating meters, relays and control devices.

Weight - Shipping/Net

(approximate, in pounds)
Transformer, without base;
JCB-3, JCB-4 95/85 lbs
Transformer without base;
JCB-5 120/110 lbs

Reference Drawings

Accuracy Curves at 60 Hz:
1,200:5 A 9689241075
1,500:5 A 9689241076
2,000:5 A 9689241078
3,000:5 A 9689241080
4,000:5 A 9689241081

Excitation Curves:

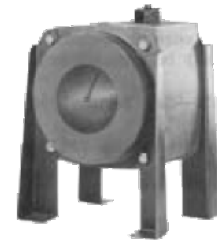
1,200:5 9689241139
1,500:5 9689241140
2,000:5 9689241142
3,000:5 9689241144
4,000:5 9689241145

Outline Drawings:

JCB-3 Transformer 9688571
JCB-4 Transformer 9689745
JCB-5 Transformer 9688572
Wiring Diagram ... refer to page 41, figure 3



When choosing your GE Instrument Transformer, don't forget to explore the benefits of using GE's 0.15 accuracy class AccuBute line.



JCB-3 Transformer



JCB-5 Transformer



JCB-4 Transformer

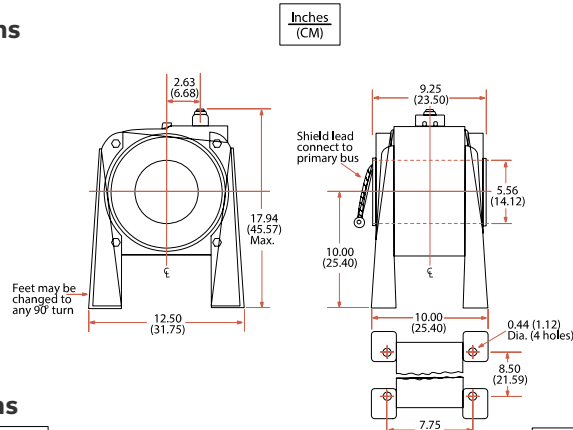
JCB-3/JCB-4/JCB-5

Current Ratio (in Amps) Pri : Sec	ANSI Accuracy Class, 60 Hz				Continuous Thermal Current Rating Factor		1-Sec. Thermal Limit Amperes	Catalog Number		
	Meter Class, Burden			Relay Class	@ 30 °C Amb.	@ 55 °C Amb.		JCB-3 5,000 V BIL 60 kV	JCB-4 8,700 V BIL 75 kV	JCB-5 15,000 V BIL 110 kV
	B-0.1, B-0.2, B-0.5	B-1	B-2							
1,200:5	0.3	0.3	0.3	C200	1.33	1.0	88,800	753X021008	754X021008	755X021008
1,500:5	0.3	0.3	0.3	C200	1.33	1.0	111,000	753X021009	754X021009	755X021009
2,000:5	0.3	0.3	0.3	C400	1.33	1.0	148,000	753X021011	754X021011	755X021011
3,000:5	0.3	0.3	0.3	C400	1.33	1.0	282,000	753X021013	754X021013	755X021013
4,000:5	0.3	0.3	0.3	C200	1.33	1.0	296,000	753X021014	754X021014	755X021014
600/1,200:5	0.3	0.6	---	C100	2.0	1.5	88,800	753X021016	754X021016	755X021016
	0.3	0.3	0.3	C200	1.33	1.0	88,800			
750/1,500:5	0.3	0.3	0.6	C100	2.0	1.5	111,000	753X021017	754X021017	755X021017
	0.3	0.3	0.3	C200	1.33	1.0	111,000			
1,000/2,000:5	0.3	0.3	0.6	C200	2.0	1.5	148,000	753X021018	754X021018	755X021018
	0.3	0.3	0.3	C400	1.33	1.0	148,000			
1,500/3,000:5	0.3	0.3	0.3	C200	2.0	1.5	282,000	753X021019	754X021019	755X021019
	0.3	0.3	0.3	C400	1.33	1.0	282,000			
2,000/4,000:5	0.3	0.3	0.3	C100	2.0	1.5	296,000	753X021020	754X021020	755X021020
	0.3	0.3	0.3	C200	1.33	1.0	296,000			

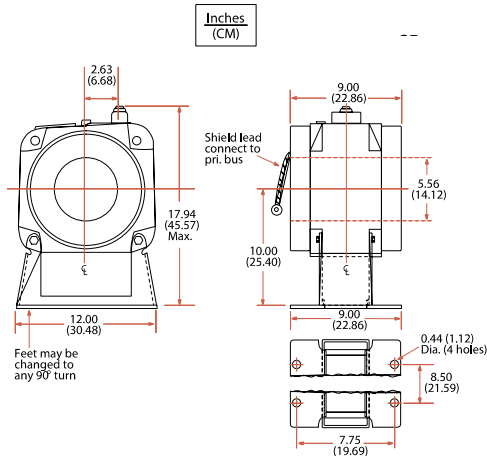


Models JCB-3, JCB-4 & JCB-5 Dimensions

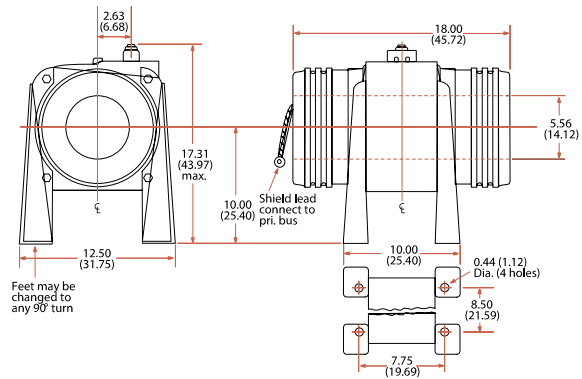
JCB-3 Mechanical Dimensions



JCB-4 Mechanical Dimensions



JCB-5 Mechanical Dimensions



Construction and Insulation

Please refer to General Product Information, items 1.2 and 1.8.

Core

Please refer to General Product Information, item 2.2.

Primary Winding

Please refer to General Product Information, item 3.4.

"Pig Tail" Connection

Please refer to General Product Information, item 3.13.

Secondary Winding

Please refer to General Product Information, item 3.4.

Terminals

Please refer to General Product Information, item 4.16.

Polarity

Please refer to General Product Information, item 7.2.

Baseplate and Mounting

Please refer to General Product Information, item 5.11.

Nameplate

Please refer to General Product Information, item 6.3.

Maintenance

Please refer to General Product Information, item 10.1 and pages 24-27.

Mechanical Rating

Mechanical limits are omitted since, if bar-primary-type transformers are properly installed, their mechanical strength is nearly unlimited.

GEGridSolutions.com

Grid-AIS-L4-ITL_Model_JCB_3_5-1444-2017_07-EN. © Copyright 2017. General Electric Company and Instrument Transformers LLC reserve the right to change specifications of described products at any time without notice and without obligation to notify any person of such changes.

Worldwide Contact Center

Web: www.GEGridSolutions.com/contact

Phone: +44 (0) 1785 250 070

USA and Canada: +1 (0) 800 547 8629

Europe, Middle East and Africa: +34 (0) 94 485 88 00

