

Model JAD-0C-S

**SCADA Ready Outdoor Current Transformer
600 V, 10 kV BIL, 300-3,000 A**

Application

Designed for both indoor and outdoor service. SCADA ready for metering or accuracy measurement applications. Suitable for distribution class reclosers, circuit breakers, relays and meters.

Weight

(Approximate)
Transformer, Window Type13 lbs

Reference Drawings

Outline 0121C43960, 0121C43961 and 0121C37508

Insulation level

0.6 kV; BIL 10 kV full wave

Frequency

60 Hz

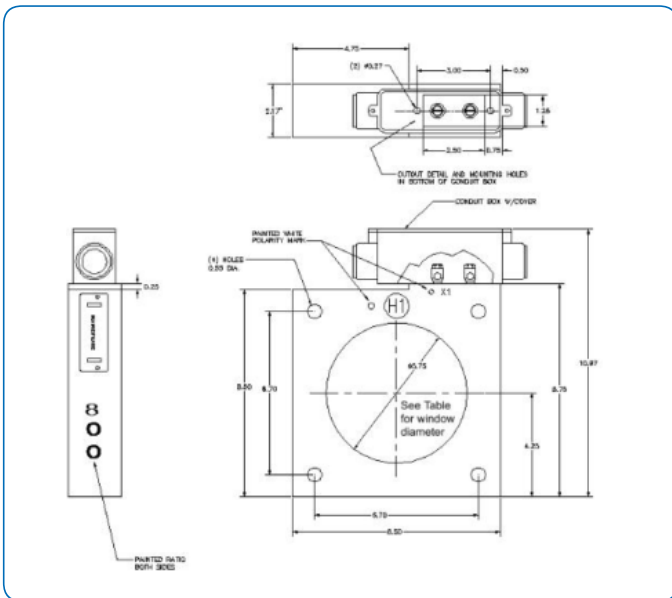


JAD-0C-S DATA TABLE

Current Ratio (Amps) Pri : Sec	ANSI Accuracy Class, 60 Hz, Burden Per ANSI	Relay Class	Continuous Thermal Current Rating Factor @ 30 °C Amb.	Catalog Number		Depth (Inches)	Window Diameter (Inches)
				W/Aluminum Conduit Box	W/PVC Conduit Box		
Single Ratio							
100:5	--	C10	1.0	--	0121C37508-5	3.00	4.60
100:5	1.2 B0.2	C20	1.0	--	0121C37508-10	5.50	4.60
200:1	5VA 5P10	--	3.0	--	0121C37508-23	3.00	4.60
200:5	--	C20	1.0	--	0121C37508-6	3.00	4.60
200:5	--	C10	1.0	--	0121C37508-12	3.00	4.60
200:5	--	C50	2.0	--	0121C37508-20	5.50	4.60
300:5	--	C300	1.0	--	0121C37508-11	5.50	4.60
300:5	0.3 B0.2	C100	3.0	--	0121C37508-4	5.50	4.60
300:5	0.6 B0.1	C5	2.0	0121C43961-1	0121C43960-1	2.17	5.75
400:1	15VA CL0.5	--	3.0	--	0121C37508-17	3.00	4.60
400:5	0.3 B0.9	C100	2.0	--	0121C37508-22	5.50	4.60
400:5	0.3 B0.1	C10	2.0	0121C43961-2	0121C43960-2	2.17	5.75
500:5	0.3 B0.2	C15	2.0	0121C43961-3	0121C43960-3	2.17	5.75
600:5	0.3 B0.9	C130	1.0	--	0121C37508-9	5.00	4.60
600:5	0.3 B0.5	C20	2.0	0121C43961-4	0121C43960-4	2.17	5.75
600:5	0.3 B0.9	C100	3.0	--	0121C37508-2	3.00	4.60
600:5	0.3 B0.9	C50	3.0	--	0121C37508-1	2.17	4.60
600:5	--	C200	2.0	--	0121C37508-18	5.50	4.60
800:5	0.3 B0.9	C100	1.0	--	0121C37508-8	3.00	4.60
800:5	0.3 B0.5	C20	2.0	0121C43961-5	0121C43960-5	2.17	5.75
1,000:5	--	C100	1.0	--	0121C37508-13	3.00	4.60
1,000:5	0.3 B0.5	C25	2.0	0121C43961-6	0121C43960-6	2.17	5.75
1,200:5	0.3 B0.9	C30	2.0	0121C43961-7	0121C43960-7	2.17	5.75
1,200:5	--	C100	1.0	--	0121C37508-7	3.00	4.60
1,200:5	0.3 B0.9	C200	1.5	--	0121C37508-3	3.00	4.60
1,500:5	0.3 B0.9	C25	2.0	0121C43961-8	0121C43960-8	2.17	5.75
2,000:5	0.3 B1.8	C25	2.0	0121C43961-9	0121C43960-9	2.17	5.75
2,000:5	--	C400	1.0	--	0121C37508-19	5.50	4.60
3,000:5	0.3 B1.8	C20	2.0	0121C43961-10	0121C43960-10	2.17	5.75



W/PVC Conduit Box



W/PVC Conduit Box

Construction and Insulation

The core and coil are encapsulated in a polyurethane resin. This tough material has excellent electrical and mechanical properties over a wide temperature range and is UV resistant for outdoor use.

Core and Coils

The core is made from high quality grain oriented silicon steel, annealed under rigidly controlled factory conditions. The secondary winding is made of heavy enameled copper wire. The secondary windings are evenly distributed around the core for maximum accuracy and resistance to stray fields from adjacent conductors.

Terminals

Secondary terminals are tin plated brass, compression type with a 0.275" diameter cross-hole for wiring and a 1/4-28 clamp screw.

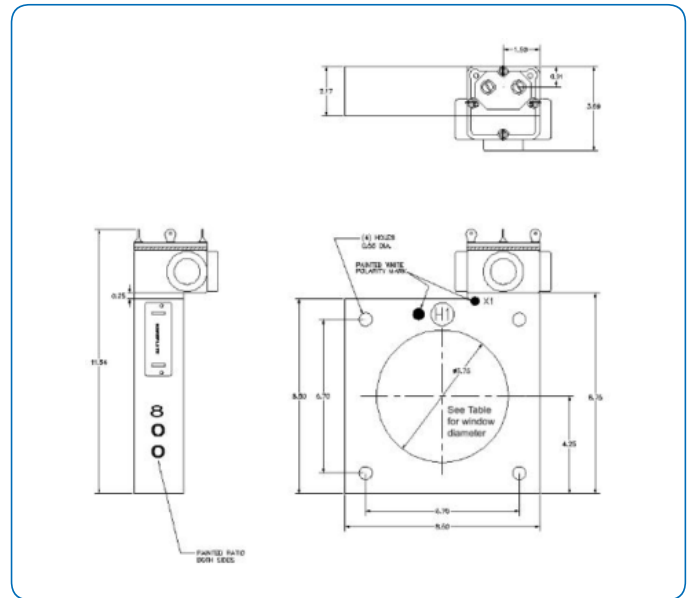
Polarity

Primary and secondary polarity marks are white.

Conduit Attachment

A secondary conduit box provided with cover, gasket and four sealable thumbscrews. Conduit boxes available in cast aluminum with two 1" NPT conduit hubs or PVC style with two 3/4" NPT conduit hubs.

W/Aluminum Box



W/Aluminum Box

Nameplate

The nameplate is laser engraved aluminum. It is attached to the top of the unit and has provision for attaching the user's identifying tag. The nominal current rating is marked on both faces of the unit in large numerals.

Baseplate and Mounting

The transformer can be mounted in any position. Optional stainless-steel mounting feet are available, they are attached to the transformer with two bolts.

Maintenance

These transformers require no maintenance, other than occasional cleaning, if installed where air contamination is severe.

Options

Available in higher accuracy and higher relay classes. Contact factory for more information.

Data subject to change without notice

GEGridSolutions.com

ITL_Model_JAD-OC-S-Spec-EN-2020-04-Grid-PQP-1382. © Copyright 2020. General Electric Company and Instrument Transformers LLC reserve the right to change specifications of described products at any time without notice and without obligation to notify any person of such changes.

Worldwide Contact Center

Web: www.GEGridSolutions.com/contact

Phone: +44 (0) 1785 250 070

USA and Canada: +1 (0) 800 547 8629

Europe, Middle East and Africa: +34 (0) 94 485 88 00

