



FLANGE HANDLE FOR 30 TO 200A UL 98 FUSIBLE DISCONNECT SWITCHES

⚠ DANGER / DANGER / PELIGRO

HAZARDOUS VOLTAGE

- This equipment must be installed and serviced only by qualified electrical personnel.
- Turn off all power supplying this equipment before working on or inside equipment.
- Always use a properly rated voltage sensing device to confirm power is OFF.
- Replace all devices, doors, and covers before turning on power to this equipment.
- Maintain electrical clearances between cable and live parts.

Failure to follow these instructions will result in death or serious injury.

TENSION DANGEREUSE

- L'installation et l'entretien de cet appareil ne doivent être effectués que par du personnel qualifié.
- Coupez l'alimentation de cet appareil avant d'y travailler.
- Utilisez toujours un dispositif de détection de tension à valeur nominale approprié pour confirmer que toute alimentation est coupée.
- Remplacez tous les dispositifs, les portes et les couvercles avant de mettre cet appareil sous tension.
- Maintenez les distances d'isolement électrique entre le câble et les pièces sous tension.

Si ces précautions ne sont pas respectées, cela entraînera la mort ou des blessures graves.

TENSION PELIGROSA

- Solamente el personal de mantenimiento eléctrico especializado deberá instalar y prestar servicios de mantenimiento a este equipo.
- Desenergice el equipo antes de realizar cualquier trabajo en él.
- Siempre utilice un dispositivo detector de tensión adecuado para confirmar la desenergización del equipo.
- Vuelva a colocar todos los dispositivos, las puertas y las cubiertas antes de energizar este equipo.
- Mantenga un espacio adecuado para la instalación eléctrica entre el cable y las piezas energizadas.

El incumplimiento de estas precauciones podrá causar la muerte o lesiones serias.

Dual dimensions in/mm
Double dimensions in/mm
Doble dimensiones in/mm

ITEM	QUANTITY	DESCRIPTION	DESCRIPTION
1	2	Screw assembly 8-32 x 5/16	Ensemble rondelle et vis 8-32 x 5/16
2	2	Rivet 3/16 x 5/16	Rivet 3/16 x 5/16
3	1	Locking lever extension	Extension du levier de verrouillage
4	1	Interlock blade	Verrouillage de porte
5	1	Mounting bracket	Support de verrouillage
6	1	Interlock label	Etiquette "verrouillage de porte"

Figure 1
Handle Mounting for Left Hand Operation
Montage poignée pour commande à gauche

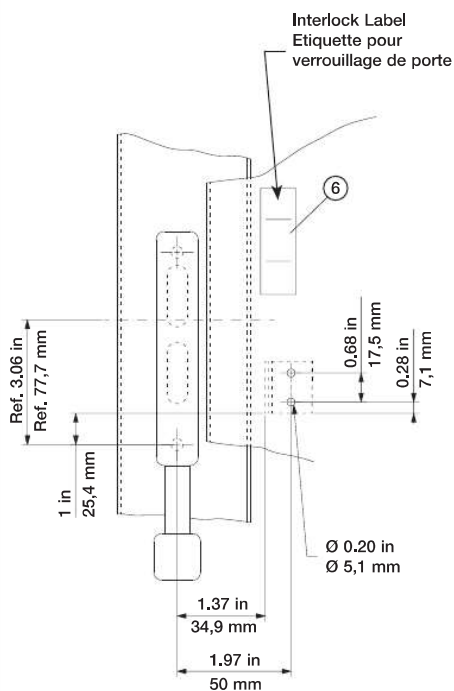


Figure 2
Handle Mounting for Right Hand Operation
Montage poignée pour commande à droite

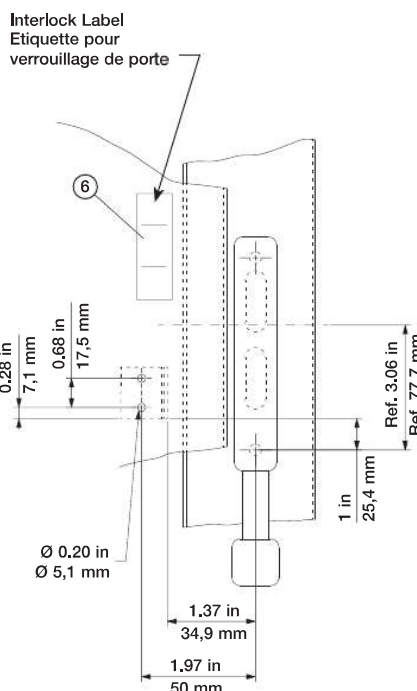
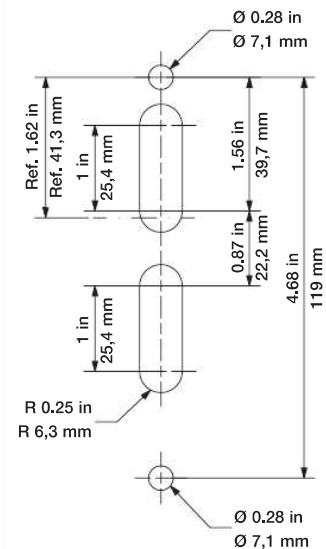


Figure 3
Flange Drilling
Perçage levier



the 1990s, the number of people with diabetes has increased in all industrialized countries. In the Netherlands, the prevalence of diabetes has risen from 1.5% in 1975 to 5.5% in 1995 (1). The prevalence of diabetes is expected to increase further in the next decades (2).

Diabetes is a chronic disease with a high prevalence of complications. The most common complications are retinopathy, nephropathy, neuropathy, and cardiovascular disease. The prevalence of these complications is high, and the risk of complications is increased in people with diabetes (3). The prevalence of complications is also increased in people with diabetes who are treated with insulin (4).

The prevalence of complications is also increased in people with diabetes who are treated with oral hypoglycaemic agents (5). The prevalence of complications is also increased in people with diabetes who are treated with insulin and oral hypoglycaemic agents (6). The prevalence of complications is also increased in people with diabetes who are treated with insulin and oral hypoglycaemic agents (7).

The prevalence of complications is also increased in people with diabetes who are treated with insulin and oral hypoglycaemic agents (8). The prevalence of complications is also increased in people with diabetes who are treated with insulin and oral hypoglycaemic agents (9). The prevalence of complications is also increased in people with diabetes who are treated with insulin and oral hypoglycaemic agents (10).

The prevalence of complications is also increased in people with diabetes who are treated with insulin and oral hypoglycaemic agents (11). The prevalence of complications is also increased in people with diabetes who are treated with insulin and oral hypoglycaemic agents (12). The prevalence of complications is also increased in people with diabetes who are treated with insulin and oral hypoglycaemic agents (13).

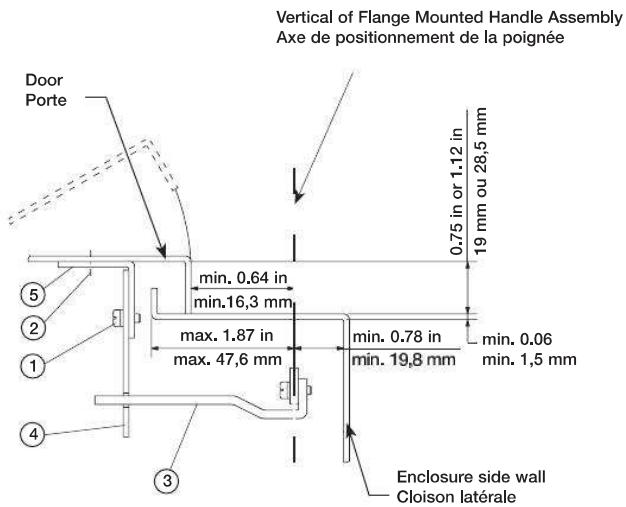
The prevalence of complications is also increased in people with diabetes who are treated with insulin and oral hypoglycaemic agents (14). The prevalence of complications is also increased in people with diabetes who are treated with insulin and oral hypoglycaemic agents (15). The prevalence of complications is also increased in people with diabetes who are treated with insulin and oral hypoglycaemic agents (16).

The prevalence of complications is also increased in people with diabetes who are treated with insulin and oral hypoglycaemic agents (17). The prevalence of complications is also increased in people with diabetes who are treated with insulin and oral hypoglycaemic agents (18). The prevalence of complications is also increased in people with diabetes who are treated with insulin and oral hypoglycaemic agents (19).

The prevalence of complications is also increased in people with diabetes who are treated with insulin and oral hypoglycaemic agents (20). The prevalence of complications is also increased in people with diabetes who are treated with insulin and oral hypoglycaemic agents (21). The prevalence of complications is also increased in people with diabetes who are treated with insulin and oral hypoglycaemic agents (22).

The prevalence of complications is also increased in people with diabetes who are treated with insulin and oral hypoglycaemic agents (23). The prevalence of complications is also increased in people with diabetes who are treated with insulin and oral hypoglycaemic agents (24). The prevalence of complications is also increased in people with diabetes who are treated with insulin and oral hypoglycaemic agents (25).

Figure 4
Flange Details
Détails levier



INSTALLATION :

1. Determine right or left hand operation and locate vertical center line of Handle Assembly on Enclosure Flange (See Figure 1 - 2 - 4).
2. Secure Mounting Bracket, Item 5, to door with 2 rivets, Item 2.
NOTE : Bracket may be welded to door if desired.
3. Assemble as showing Figure 5.
4. Drill the Door (See Figure 3).
5. Follow the Flange Mounting of Instruction Sheet 3A1995 or 3A2016.
6. Attach adhesive backed door interlock label, Item 6, as shown in Figure 1 or 2.

INTERLOCK BLADE ADJUSTEMENT

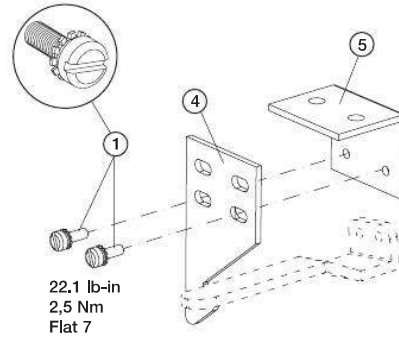
- A. Close door. If handle cannot be moved to ON position the Interlock Blade, Item 4, should be adjusted downward in mounting slots so that it will depress the Locking Lever Extension, Item 3.
- B. Attempt to open door with handle in ON position. Interlock Blade, Item 4, should prevent opening the door (unless the bypass screw on the handle mechanism is operated). If required, readjust Interlock Blade Item 4 in Mounting slots and repeat steps A and B.

CAUTION

WHEN REPLACING AN EXISTING OPERATING MECHANISM, REPLACE **ALL** COMPONENTS, SOME OF OLD PARTS ARE **NOT** COMPATIBLE WITH THIS NEW UNIT AND MAY CAUSE A MALFUNCTION.

Figure 5

Screw assembly 8-32 x 5/16
Ensemble rondelle et vis 8-32 x 5/16



INSTALLATION :

1. Déterminer si vous avez un montage à gauche ou à droite, puis localiser l'axe de positionnement de la poignée (voir figure 1 - 2 - 4).
2. Fixer le support de verrouillage, rep. 5, sur la porte avec 2 rivets, rep.2.
NOTE : le support peut également être soudé.
3. Assembler les pièces suivant la figure 5.
4. Percer la porte (voir figure 3).
5. Suivre le montage de la poignée sur la notice 3A1995 ou 3A2016.
6. Fixer l'étiquette "verrouillage de porte", rep. 6, comme le montrent les figures 1 ou 2.

REGLAGE DU VERROUILLAGE DE PORTE

- A. Fermer la porte. Si la poignée est bloquée en position OFF, la pièce de verrouillage, rep. 4 doit être ajustée grâce aux 4 trous oblong, afin qu'elle puisse pousser la pièce rep. 3.
- B. Essayer d'ouvrir la porte avec la poignée en position ON. La pièce de verrouillage, rep 4 devrait empêcher l'ouverture de la porte. Si nécessaire, réajuster la pièce rep.4 sur son support rep. 5 et répéter les étapes A et B.

PRECAUTION

SI VOUS REMPLACEZ UNE PIÈCE EXISTANTE, VEUILLEZ REMPLACER **TOUTES** LES PIÈCES DU MÉCANISME, AFIN D'ÉVITER UNE **INCOMPATIBILITÉ** ET UN MAUVAIS FONCTIONNEMENT.