

Models CPTS3-60-5 & CPTS5-95-5

Medium Voltage Control Power Transformers

Application

To provide control power in medium voltage switchgear.

Frequency

60 Hz.

Insulation Level

CPTS3: 5 kV, 60 kV BIL full wave.
CPTS5: 15 kV, 95 kV BIL full wave.

Thermal Rating

5 kVA at 30 °C ambient.
4.3kVA at 55 °C ambient.

Specifications

Primary terminals are brass screws 1/4-20 with one flatwasher and starwasher

Secondary terminals are 1/2-13 brass studs with one flatwasher, lockwasher and two nuts, plus series/parallel links.

Supplied with $1 \pm 7 \frac{1}{2} \%$ or $2 \pm 2 \frac{1}{2} \%$ taps above and below nominal voltage on the primary winding.

Windings are encapsulated in epoxy resin.

Mounting base is steel.
Assembly is varnish coated.
Available as unfused only.

Self cooled.
For indoor use.

Approximate weight 165 lbs.



Model CPTS3-60-5 & CPTS5-95-5

**Catalog Number	Primary Voltage	Ratio	Secondary Voltage	*Fuse Rating
CPTS3-60-5-242**	2,400	20:1	120/240	7E
CPTS3-60-5-4161**	4,160	34.7:1	120/240	5E
CPTS3-60-5-482**	4,800	40:1	120/240	5E
CPTS5-95-5-722**	7,200	60:1	120/240	3E
CPTS5-95-5-842**	8,400	70:1	120/240	3E
CPTS5-95-5-123**	12,000	100:1	120/240	2E
CPTS5-95-5-1242**	12,470	104:1	120/240	2E
CPTS5-95-5-1322**	13,200	110:1	120/240	2E
CPTS5-95-5-1382**	13,800	115:1	120/240	2E
CPTS5-95-5-1442**	14,400	120:1	120/240	2E

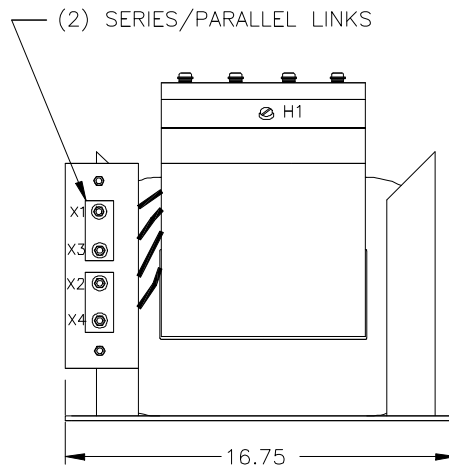
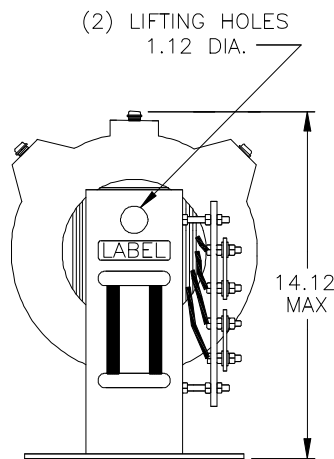
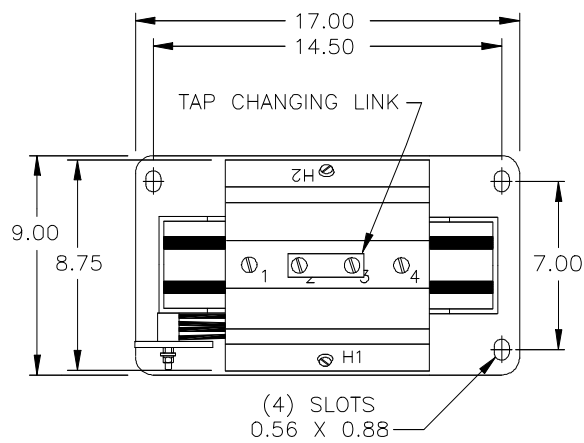
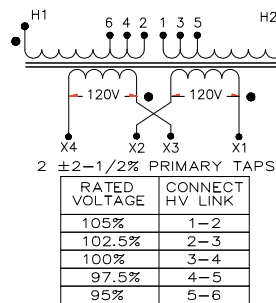
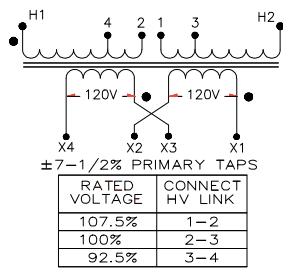
*Note all fuse rating are based on NEC transformer overcurrent protection recommendations. Specific applications may require other other ratings.

**For $1 \pm 7 \frac{1}{2} \%$ taps use suffix "A" after Catalog No.

**For $2 \pm 2 \frac{1}{2} \%$ taps use suffix "B" after Catalog No.



Connection Diagrams



GEGridSolutions.com

Grid-AIS-L4-ITL_Model_CPTS3_60_5-1109-2017_08-EN. © Copyright 2017. General Electric Company and Instrument Transformers LLC reserve the right to change specifications of described products at any time without notice and without obligation to notify any person of such changes.

Worldwide Contact Center

Web: www.GEGridSolutions.com/contact

Phone: +44 (0) 1785 250 070

USA and Canada: +1 (0) 800 547 8629

Europe, Middle East and Africa: +34 (0) 94 485 88 00

