

Models CPTS3-60-10 & CPTS5-95-10

Medium Voltage Control Power Transformer

Application

To provide control power in medium voltage switchgear.

Frequency

60 Hz.

Insulation Level

CPTS3: 5 kV, 60 kV BIL full wave.
CPTS5: 15 kV, 95 kV BIL full wave.

Thermal Rating

10 kVA at 30 °C ambient.
8.6 kVA at 55 °C ambient.

Specifications

Primary terminals are brass screws 1/4-20 with one flatwasher and starwasher

Secondary terminals are 1/2-13 brass studs with one flatwasher, lockwasher and two nuts, plus series/parallel links.

Supplied with $1 \pm 7 \frac{1}{2} \%$ or $2 \pm 2 \frac{1}{2} \%$ taps above and below nominal voltage on the primary winding.

Windings are encapsulated in epoxy resin.

Mounting base is steel.
Assembly is varnish coated.
Available as unfused only.

Self cooled.
For indoor use.

Approximate weight 250 lbs.



Model CPTS3-60-10 & CPTS5-95-10

**Catalog Number	Primary Voltage	Ratio	Secondary Voltage	*Fuse Rating
CPTS3-60-10-242**	2,400 V	20:1	120/240 V	15E
CPTS3-60-10-4161**	4,160 V	34.7:1	120/240 V	7E
CPTS3-60-10-482**	4,800 V	40:1	120/240 V	7E
CPTS5-95-10-722**	7,200 V	60:1	120/240 V	5E
CPTS5-95-10-842**	8,400 V	70:1	120/240 V	5E
CPTS5-95-10-123**	12,000 V	100:1	120/240 V	3E
CPTS5-95-10-1242**	12,470 V	104:1	120/240 V	3E
CPTS5-95-10-1322**	13,200 V	110:1	120/240 V	3E
CPTS5-95-10-1382**	13,800 V	115:1	120/240 V	3E
CPTS5-95-10-1442**	14,400 V	120:1	120/240 V	3E

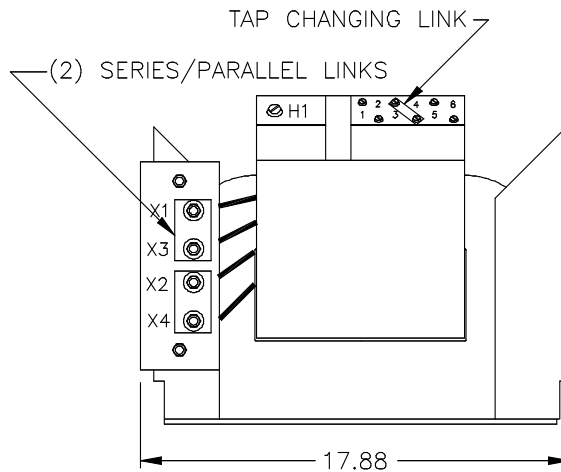
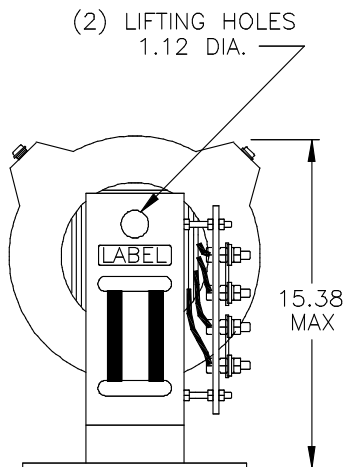
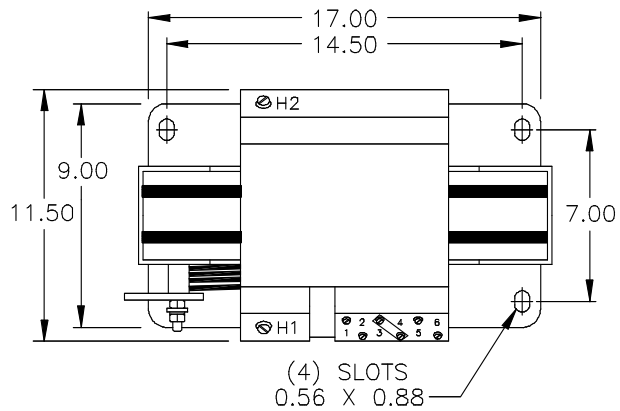
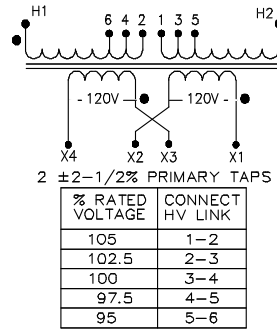
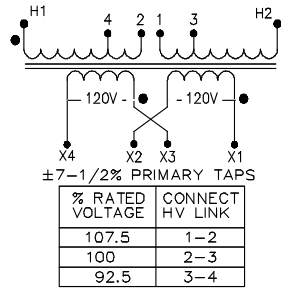
*Note all fuse rating are based on NEC transformer overcurrent protection recommendations. Specific applications may require other other ratings.

**For $1 \pm 7 \frac{1}{2} \%$ taps use suffix "A" after Catalog No.

**For $2 \pm 2 \frac{1}{2} \%$ taps use suffix "B" after Catalog No.



Connection Diagrams



GEGridSolutions.com

Grid-AIS-L4-ITL_Model_CPTS3_60_10-1106-2017_06-EN. © Copyright 2017. General Electric Company and Instrument Transformers LLC reserve the right to change specifications of described products at any time without notice and without obligation to notify any person of such changes.

Worldwide Contact Center

Web: www.GEGridSolutions.com/contact

Phone: +44 (0) 1785 250 070

USA and Canada: +1 (0) 800 547 8629

Europe, Middle East and Africa: +34 (0) 94 485 88 00

