

Models CPTD7-150-25 & CPTD7-150-37.5 & CPTD7-150-50

Medium Voltage Control Power Transformer

Application

To provide control power in medium voltage switchgear.

Frequency

60 Hz.

Insulation Level

34.5 kV, 150 kV BIL full wave.

Thermal Rating

25 kVA at 30°C ambient.
21.5 kVA at 55°C ambient.

37.5 kVA at 30°C ambient.
32.2 kVA at 55°C ambient.

50 kVA at 30°C ambient.
42.9 kVA at 55°C ambient. 80°C rise.

Characteristics

Primary terminals are 3/8-16 inserts.
Secondary terminals are 1/2-13 brass studs.

Supplied with taps on primary side:
Cat. suffix A $\pm 7 \frac{1}{2}\%$ taps or
Cat. suffix B $\pm 2 \frac{1}{2}\%$ taps

Windings are encapsulated in epoxy resin.

Mounting base is steel.

Assembly is varnish coated.

Available as unfused only.

Self cooled.

For indoor use.

Approximate weight 750 lbs.



Models CPTD7-150-25 & CPTD7-150-37.5 & CPTD7-150-50

| **Catalog Number | | | Primary Voltage | Voltage Ratio | Secondary Voltage |
|---------------------|-----------------------|---------------------|-----------------|---------------|-------------------|
| 25 kVA | 37.5 kVA | 50 kVA | | | |
| CPTD7-150-25-1992** | CPTD7-150-37.5-1992** | CPTD7-150-50-1992** | 19920 V | 166:1 | 120/240 V |
| CPTD7-150-25-2762** | CPTD7-150-37.5-2762** | CPTD7-150-50-2762** | 27600 V | 230:1 | 120/240 V |
| CPTD7-150-25-2882** | CPTD7-150-37.5-2882** | CPTD7-150-50-2882** | 28800 V | 240:1 | 120/240 V |
| CPTD7-150-25-3452** | CPTD7-150-37.5-3452** | CPTD7-150-50-3452** | 34500 V | 287.5:1 | 120/240 V |

*Note all fuse rating are based on NEC transformer overcurrent protection recommendations. Specific applications may require other other ratings.

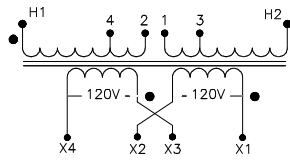
**For 1 $\pm 7 \frac{1}{2}\%$ taps use suffix "A" after Catalog No.

**For 2 $\pm 2 \frac{1}{2}\%$ taps use suffix "B" after Catalog No.



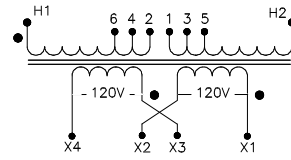
Models CPTD7-150-25 & CPTD7-150-37.5 & CPTD7-150-50

Connection Diagrams



| PRIMARY VOLTS | CONNECT |
|---------------|---------|
| 107.5% | 1 - 2 |
| 100% | 2 - 3 |
| 92.5% | 3 - 4 |

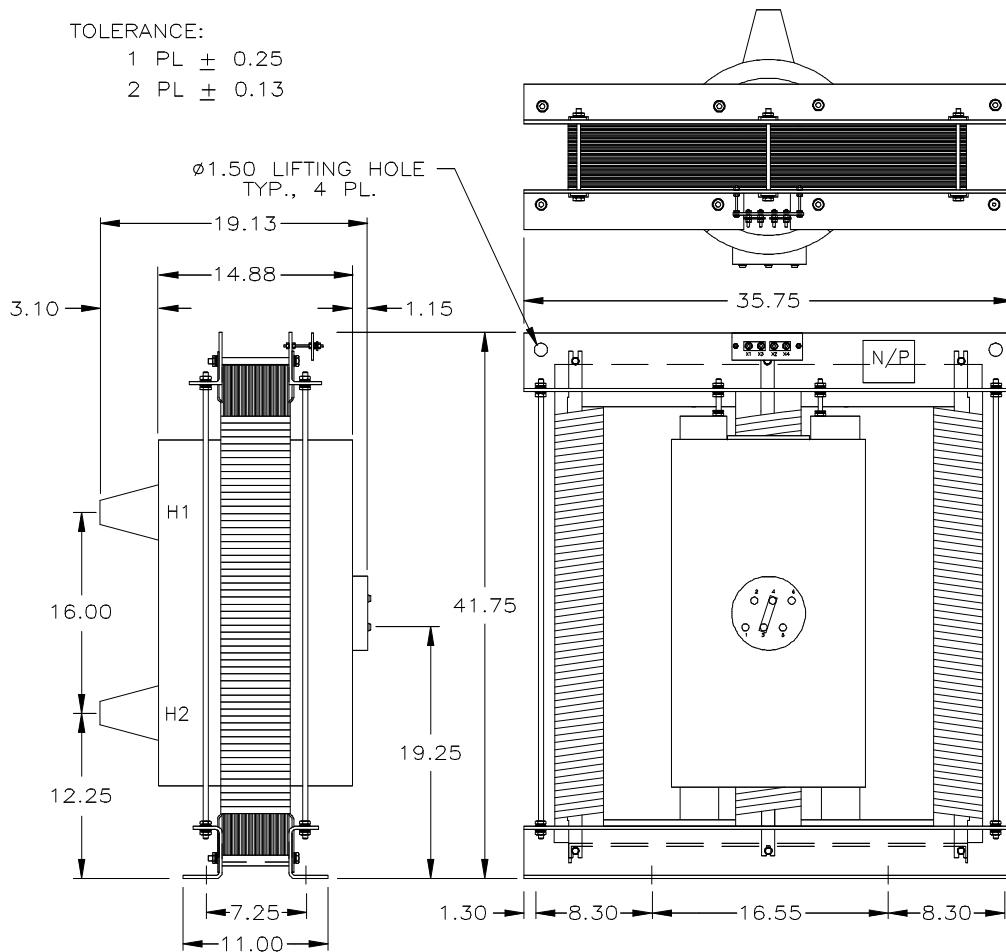
1 ±7-1/2% PRIMARY TAPS
SUFFIX "A"



| PRIMARY VOLTS | CONNECT |
|---------------|---------|
| 105% | 1 - 2 |
| 102.5% | 2 - 3 |
| 100% | 3 - 4 |
| 97.5% | 4 - 5 |
| 92.5% | 5 - 6 |

2 ±2-1/2% PRIMARY TAPS
SUFFIX "B"

TOLERANCE:
1 PL ± 0.25
2 PL ± 0.13



GEGridSolutions.com

Grid-AIS-L4-ITL_Model_CPTD7_150_25-1101-2017_08-EN. © Copyright 2017. General Electric Company and Instrument Transformers LLC reserve the right to change specifications of described products at any time without notice and without obligation to notify any person of such changes.

Worldwide Contact Center

Web: www.GEGridSolutions.com/contact

Phone: +44 (0) 1785 250 070

USA and Canada: +1 (0) 800 547 8629

Europe, Middle East and Africa: +34 (0) 94 485 88 00

