

Models CPTD3-60-25/CPTD3-60-37.5 and CPTD5-95-25/CPTD5-95-37.5

Medium Voltage Control Power Transformers

Application

To provide control power in medium voltage switchgear.

Frequency

60 Hz.

Insulation Level

15 kV Class , 95 kV BIL

Thermal Rating

25 kVA at 30°C ambient.
21.5 kVA at 55°C ambient. 80°C rise.

37.5 kVA at 30°C ambient.
32.2 kVA at 55°C ambient. 80°C rise.

Characteristics

H.V. Terminals are 3/8-16 brass inserts.
L.V. Terminals are 1/2-13 brass studs.

Windings are encapsulated in epoxy resin.

Mounting base is steel.

Assembly is varnish coated.

Available as unfused only.

Self cooled.

For indoor use.

Approximate weight 650 lbs.



Models CPTD3-60-25/CPTD5-95-25

Standard Typical Voltage - Consult Factory for Specials

**Catalog Number	Primary Voltage	Ratio	Secondary Voltage	*Fuse Rating
CPTD3-60-25-242**	2400 V	20:1	120/240 V	25E
CPTD3-60-25-4161**	4160 V	34.7:1	120/240 V	15E
CPTD3-60-25-482**	4800 V	40:1	120/240 V	15E
CPTD5-95-25-722**	7200 V	60:1	120/240 V	10E
CPTD5-95-25-842**	8400 V	70:1	120/240 V	10E
CPTD5-95-25-123**	12000 V	100:1	120/240 V	7E
CPTD5-95-25-1242**	12470 V	104:1	120/240 V	7E
CPTD5-95-25-1322**	13200 V	110:1	120/240 V	7E
CPTD5-95-25-1382**	13800 V	115:1	120/240 V	7E
CPTD5-95-25-1442**	14400 V	120:1	120/240 V	7E

Models CPTD3-60-37.5/CPTD5-95-37.5

Standard Typical Voltage - Consult Factory for Specials

**Catalog Number	Primary Voltage	Ratio	Secondary Voltage	*Fuse Rating
CPTD3-60-37.5-242**	2400 V	20:1	120/240 V	25E
CPTD3-60-37.5-4161**	4160 V	34.7:1	120/240 V	20E
CPTD3-60-37.5-482**	4800 V	40:1	120/240 V	20E
CPTD5-95-37.5-722**	7200 V	60:1	120/240 V	20E
CPTD5-95-37.5-842**	8400 V	70:1	120/240 V	20E
CPTD5-95-37.5-123**	12000 V	100:1	120/240 V	10E
CPTD5-95-37.5-1242**	12470 V	104:1	120/240 V	10E
CPTD5-95-37.5-1322**	13200 V	110:1	120/240 V	10E
CPTD5-95-37.5-1382**	13800 V	115:1	120/240 V	10E
CPTD5-95-37.5-1442**	14400 V	120:1	120/240 V	10E

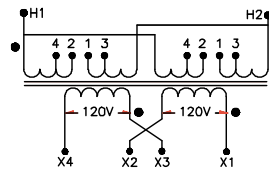
*Note all fuse rating are based on NEC transformer overcurrent protection recommendations. Specific applications may require other other ratings.

**For 1 ± 7 ½% taps use suffix "A" after Catalog No.

**For 2 ± 2 ½% taps use suffix "B" after Catalog No.

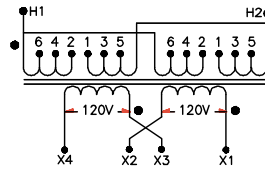


Connection Diagrams



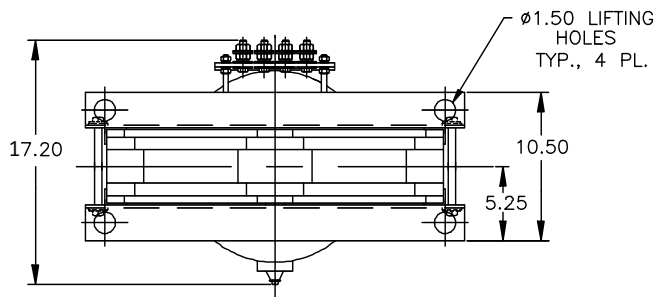
PRIMARY VOLTS	CONNECT
107.5%	1 - 2
100%	2 - 3
92.5%	3 - 4

1 ± 7-1/2% PRIMARY TAPS
SUFFIX "A"



PRIMARY VOLTS	CONNECT
105%	1 - 2
102.5%	2 - 3
100%	3 - 4
97.5%	4 - 5
92.5%	5 - 6

2 ± 2-1/2% PRIMARY TAPS
SUFFIX "B"

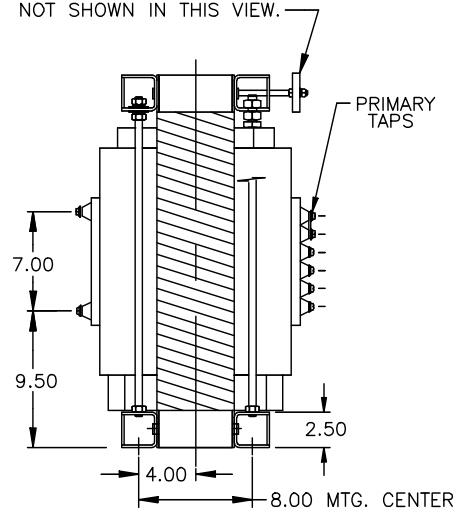
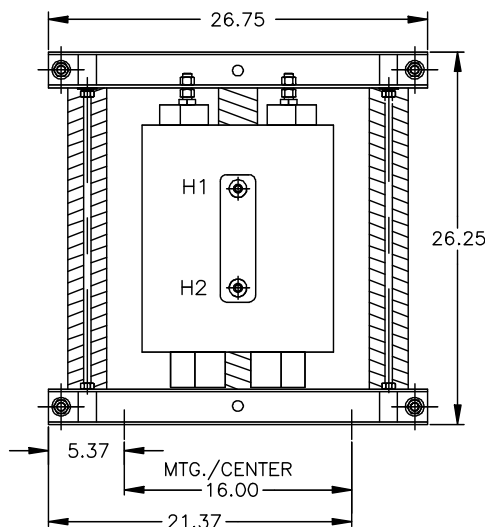


L.V. TERMINALS FACING TERMINALS	
X1	X3
X2	X4

JUMPER CONNECTIONS TERMINALS #	VOLTAGE
X1 - X3	120V
X2 - X4	120V
X2 - X3	240V

LOAD CONNECTIONS X1 - X4

NOTE: LV TERMINAL CONNECTOR NOT SHOWN IN THIS VIEW.



GEGridSolutions.com

Model_CPTD5_95_25-Spec-EN-2018-09-Grid-AIS-1097. © Copyright 2018. General Electric Company and Instrument Transformers LLC reserve the right to change specifications of described products at any time without notice and without obligation to notify any person of such changes.

Worldwide Contact Center

Web: www.GEGridSolutions.com/contact

Phone: +44 (0) 1785 250 070

USA and Canada: +1 (0) 800 547 8629

Europe, Middle East and Africa: +34 (0) 94 485 88 00

