

# Model CPT3-60-1.5

## Medium Voltage Control Power Transformer

### Application

To provide control power in distribution equipment and motor starters.

### Frequency

See below.

### Insulation Level

5 kV, 60 kV BIL full wave.

### Thermal Factor

1.5 kVA at 30°C ambient.

Primary and secondary terminals are brass screws No. 10-32 with one flatwasher and lockwasher.

Windings are encapsulated in epoxy resin.

Mounting base is steel.

Assembly is varnish coated.

Corrosion resistant mounting base provided.

For indoor use.

Approximate weight 54 lbs.



Shown without Fuses

### REGULATORY AGENCY APPROVALS



### Model CPT3-60-1.5

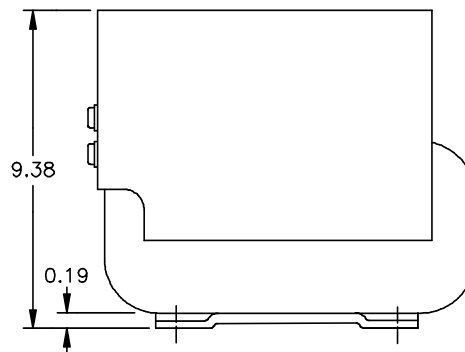
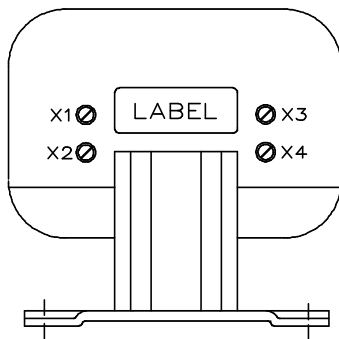
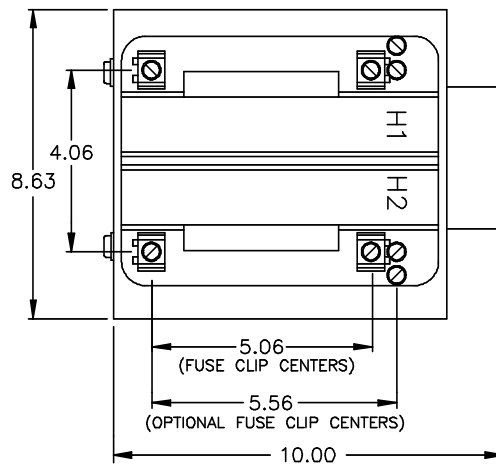
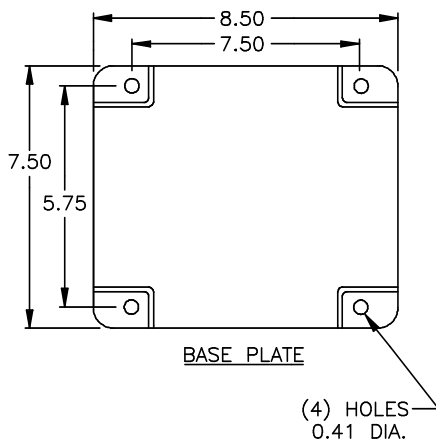
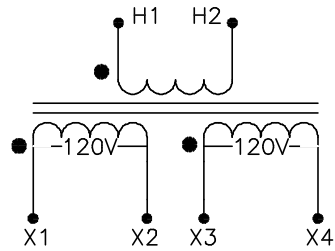
*Catalog Number	Primary Voltage	Ratio	Secondary Voltage	Frequency	Primary Fuse
CPT3-60-1.5-242FF	2400 V	20:1	120V/240 V	60 Hz	3E
CPT3 -60-1.5 -332FF	3300 V	30:1	110V/220 V	50 Hz	2E
CPT3-60-1.5 -4161FF	4160 V	34.7:1	120V/240 V	60 Hz	2E
CPT 3 -60 -1.5 -482FF	4800 V	40:1	120V/240 V	60 Hz	2E

\*For fuse clips only, change FF to CC.



Model CPT3-60-1.5

CONNECTION DIAGRAM



[GEGridSolutions.com](http://GEGridSolutions.com)

Grid-AIS-L4-ITL\_Model\_CPT3\_60\_1.5-1083-2017\_06-EN. © Copyright 2017. General Electric Company and Instrument Transformers LLC reserve the right to change specifications of described products at any time without notice and without obligation to notify any person of such changes.

**Worldwide Contact Center**

Web: [www.GEGridSolutions.com/contact](http://www.GEGridSolutions.com/contact)

Phone: +44 (0) 1785 250 070

USA and Canada: +1 (0) 800 547 8629

Europe, Middle East and Africa: +34 (0) 94 485 88 00

