

# Bussmann series NH Battery storage fuse links



**Bolted fuses**



**Bladed fuses**

## Product description

Eaton's Bussmann® series NH battery storage-fuses are specifically designed to protect and isolate battery array combiners and disconnects. These fuse links are capable of interrupting low overcurrents associated with faulted battery storage systems (reverse current, multi-array fault).

## Standard features

- Compact design
- Low power loss
- Global accreditations
- Dual indicator feature
- Variation of fixing options
- Compatible with Bussmann series NH bases (see data sheet 720136)

**Catalogue symbol**

- Knife blade fuse link:BSF-(amps)G-NH(NH body size)10
- Bolted blade fuse link:BSF-(amps)G-NH(NH body size)10-B

For example catalogue number **BSF-200G-NH110** represents a **B**attery **S**torage **F**use, rated at **200 A**, **G** operating class gBat, **NH** fuse type, NH fuse body size **1**, rated at **1000 V d.c.**, Knife blade

**Technical data**

- Rated voltage: 1000 V d.c.
- Rated current: 63 to 400 A
- Fuse body size: 1, 2 or 3
- Operating class: gBat proposed for full range fuse links for protection of battery storage systems
- Breaking capacity: 100 kA
- Time constant: 4.5 ms at 100 kA
- ROHS and Reach compliant

**Standards/Approvals**

- IEC 60269-7 for battery storage fuse links is under preparation (expected publication in 2020)

**Microswitches (ordered separately, only for use with bladed version)**

- 170H0236
- 170H0238

**Fuse holders (ordered separately, only for use with bladed version)**

- SD1-D-PV
- SD2-D-PV
- SD3-D-PV

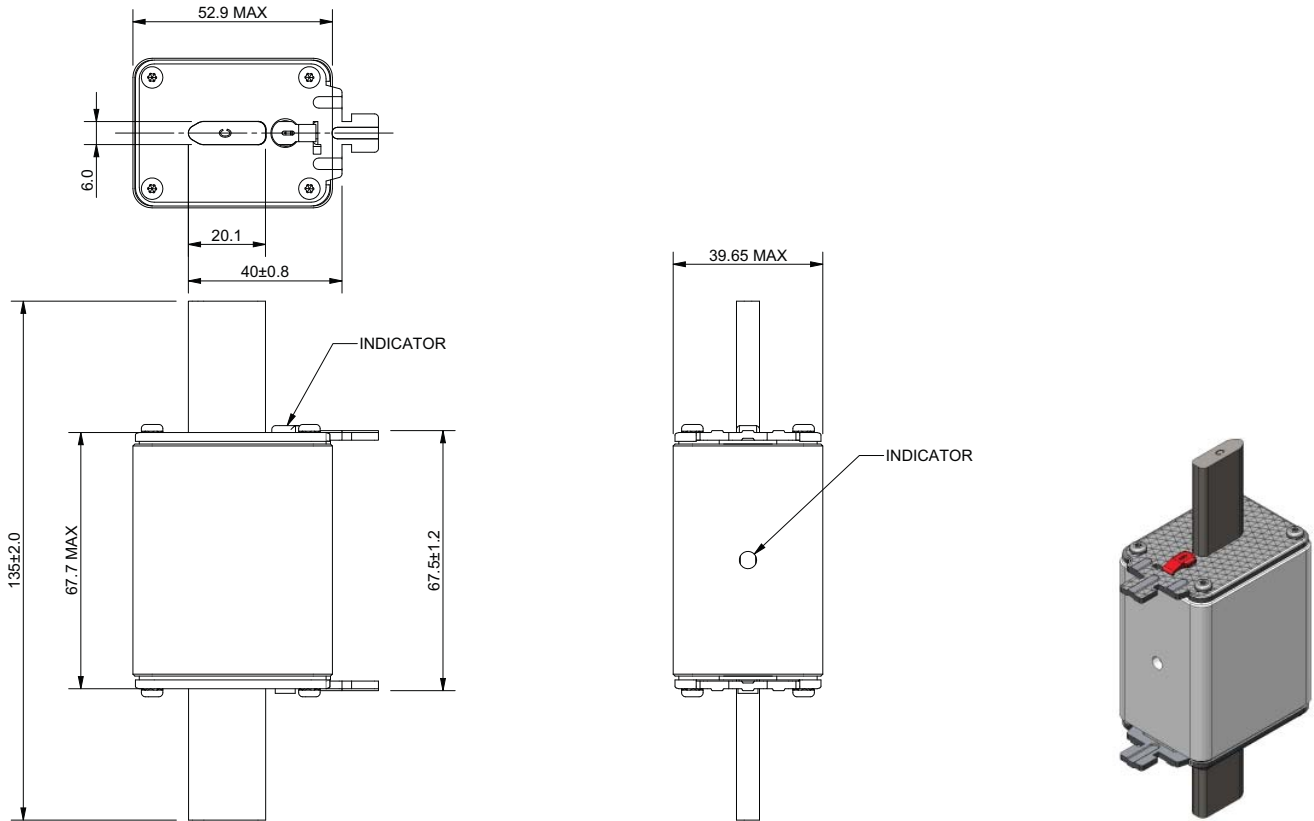
**Packaging**

- 3 in a pack

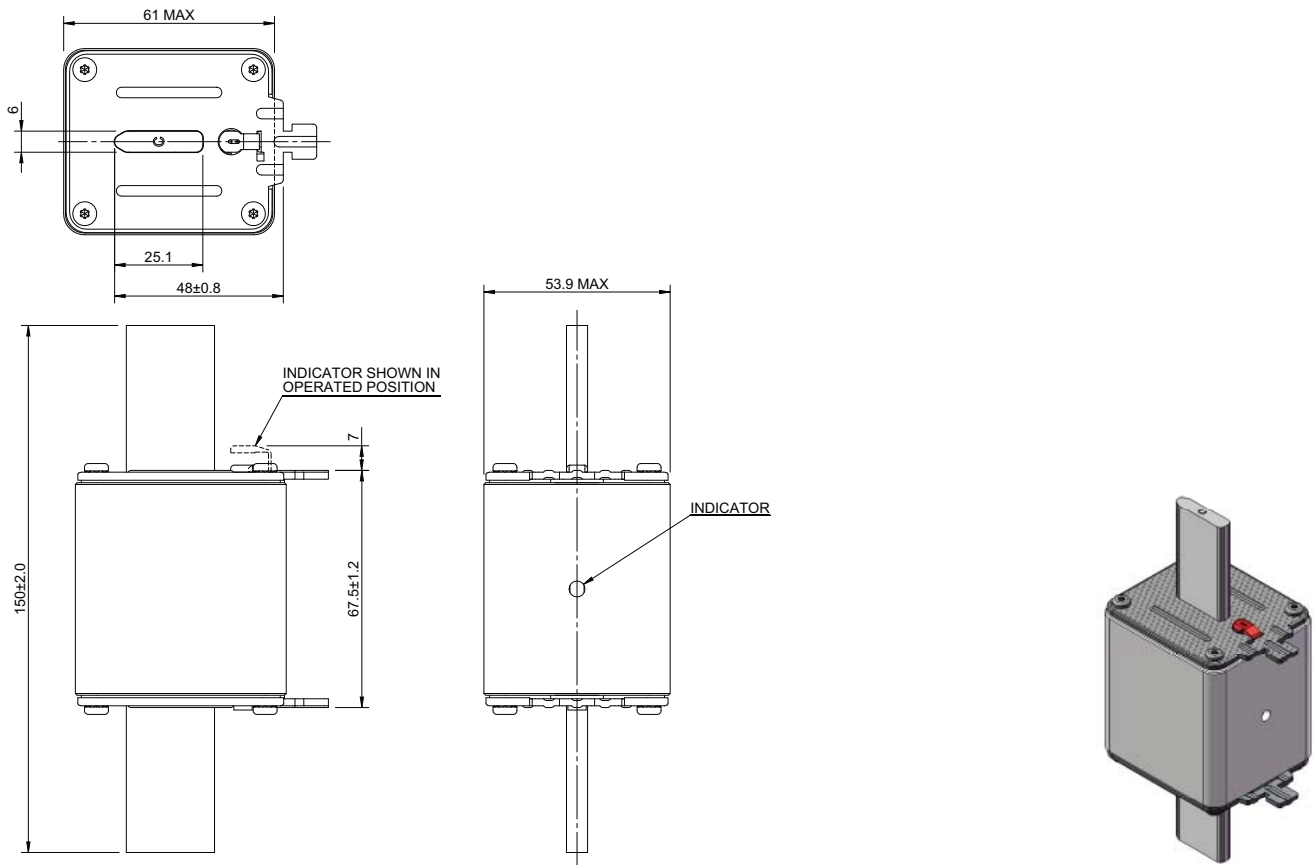
**Technical data**

Catalogue number with knife blade	Catalogue number with bolted blade	Fuse body size	Rated current (Amps)	Rated voltage (V d.c.)	Pre-arcing I <sup>2</sup> t	Total I <sup>2</sup> t @ 1000 V d.c.	Power loss at 0.7 x I <sub>n</sub> (W)	Power loss at I <sub>n</sub> (W)
BSF-063G-NH110	BSF-063G-NH110-B	1	63	1000	470	4300	5	12
BSF-080G-NH110	BSF-080G-NH110-B	1	80	1000	640	5760	6	15.5
BSF-100G-NH110	BSF-100G-NH110-B	1	100	1000	1300	11,700	7	16.5
BSF-125G-NH110	BSF-125G-NH110-B	1	125	1000	2600	23,400	7	17.5
BSF-160G-NH110	BSF-160G-NH110-B	1	160	1000	5200	46,800	11	27.5
BSF-160G-NH210	BSF-160G-NH210-B	2	160	1000	4600	37,000	11	28
BSF-200G-NH210	BSF-200G-NH210-B	2	200	1000	9500	76,000	13	32
BSF-250G-NH210	BSF-250G-NH210-B	2	250	1000	17,000	136,000	15	38
BSF-315G-NH310	BSF-315G-NH310-B	3	315	1000	32,000	260,000	18	44
BSF-355G-NH310	BSF-355G-NH310-B	3	355	1000	44,500	370,000	18	46
BSF-400G-NH310	BSF-400G-NH310-B	3	400	1000	67,500	550,000	21	52

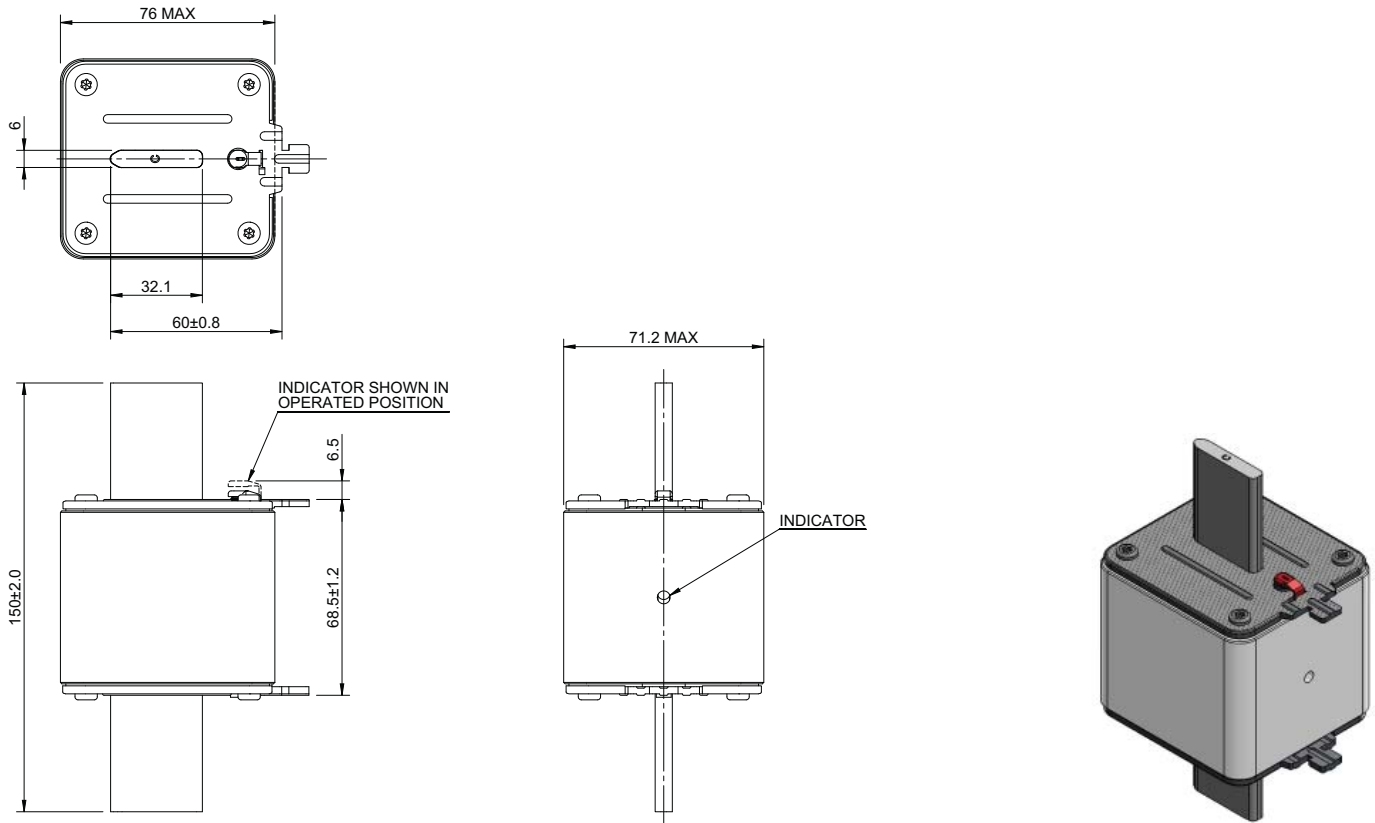
**Dimensions mm - NH1 Bladed fuse links**



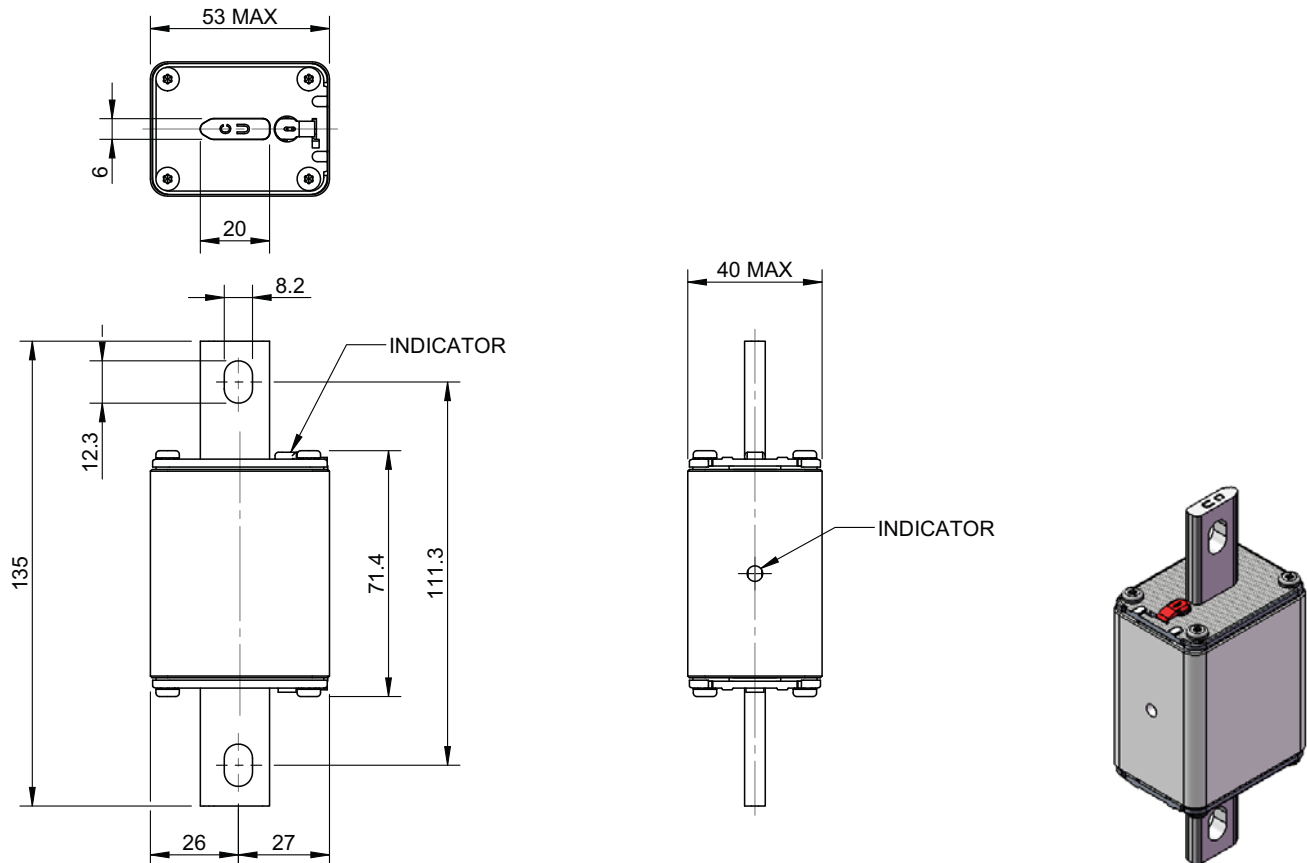
**Dimensions mm - NH2 Bladed fuse links**



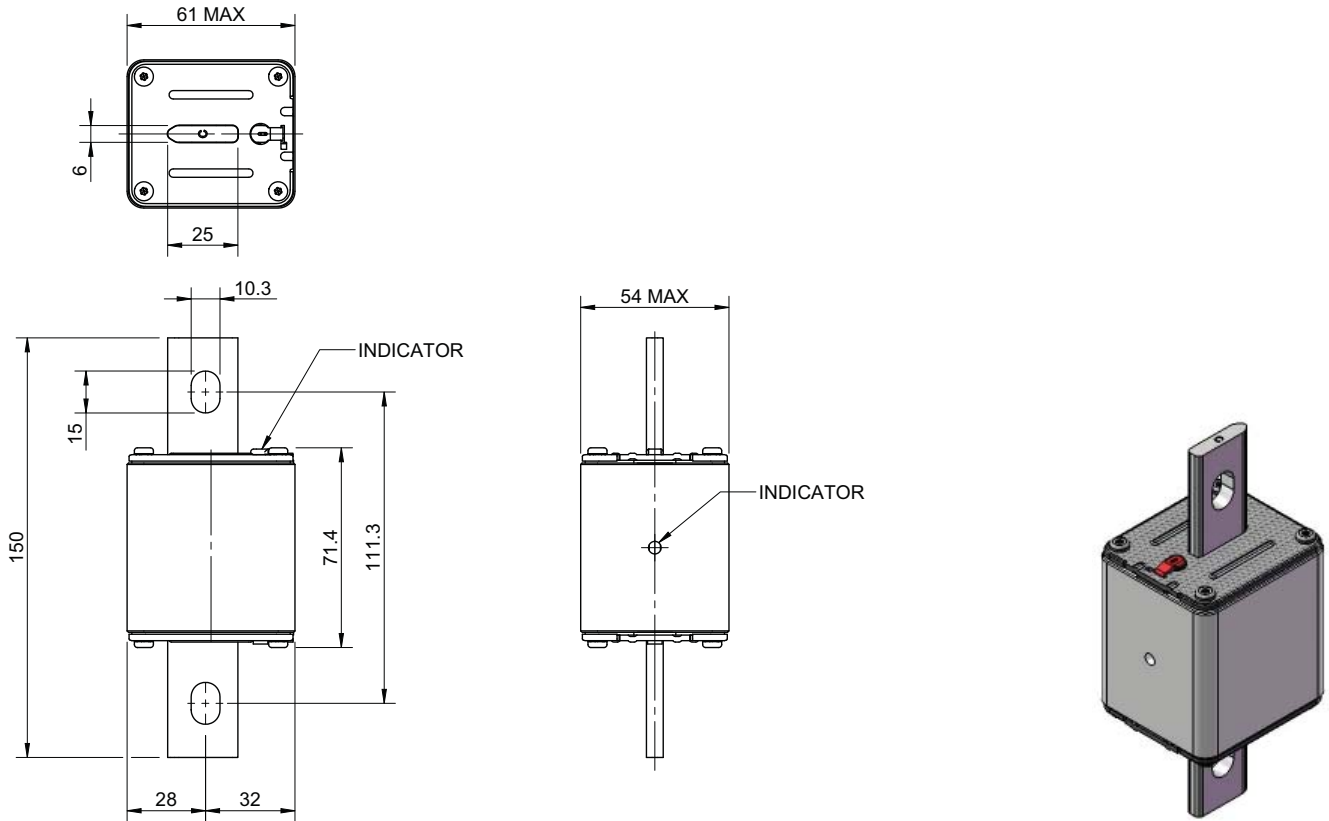
**Dimensions mm - NH3 Bladed fuse links**



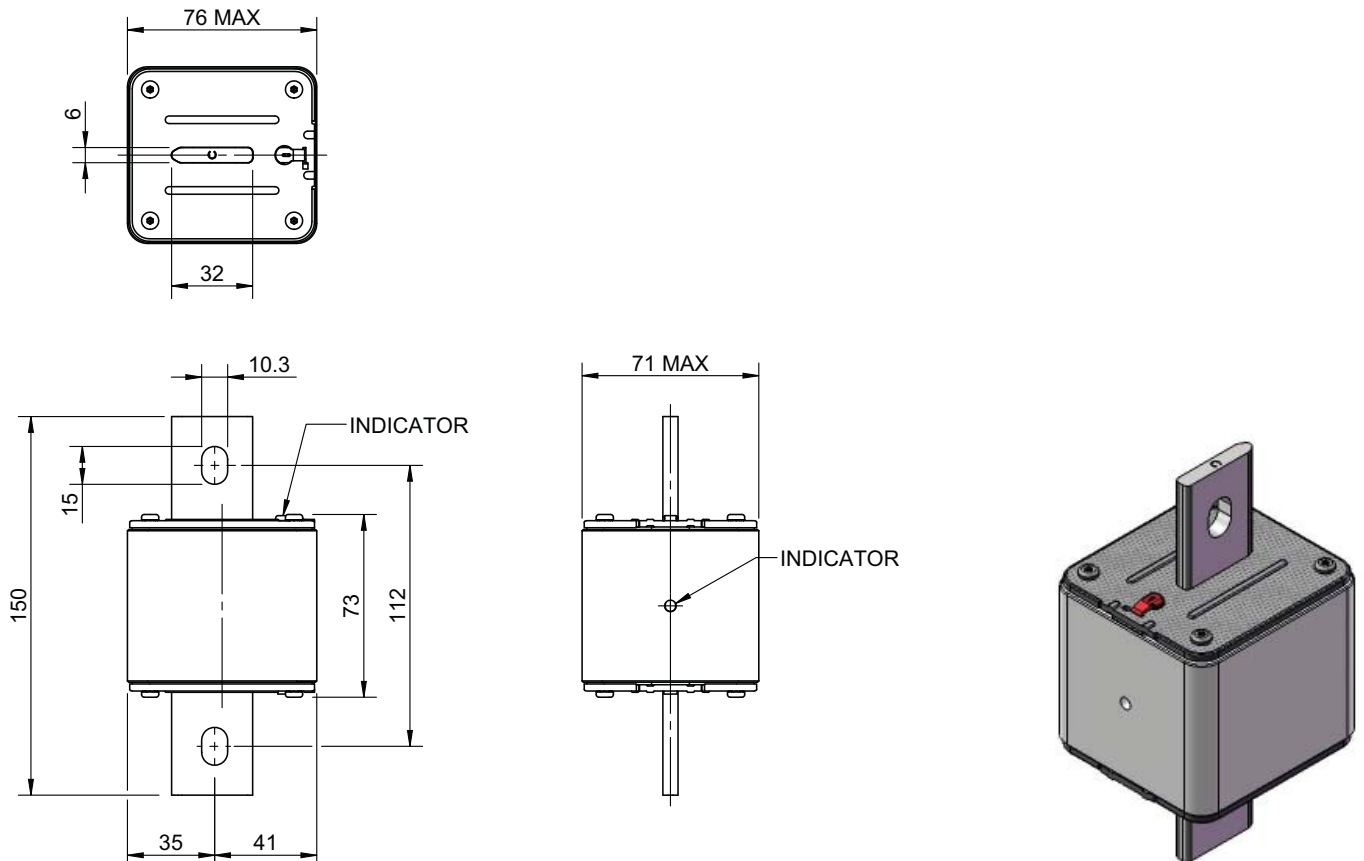
**Dimensions mm - NH1 Bolted fuse links**



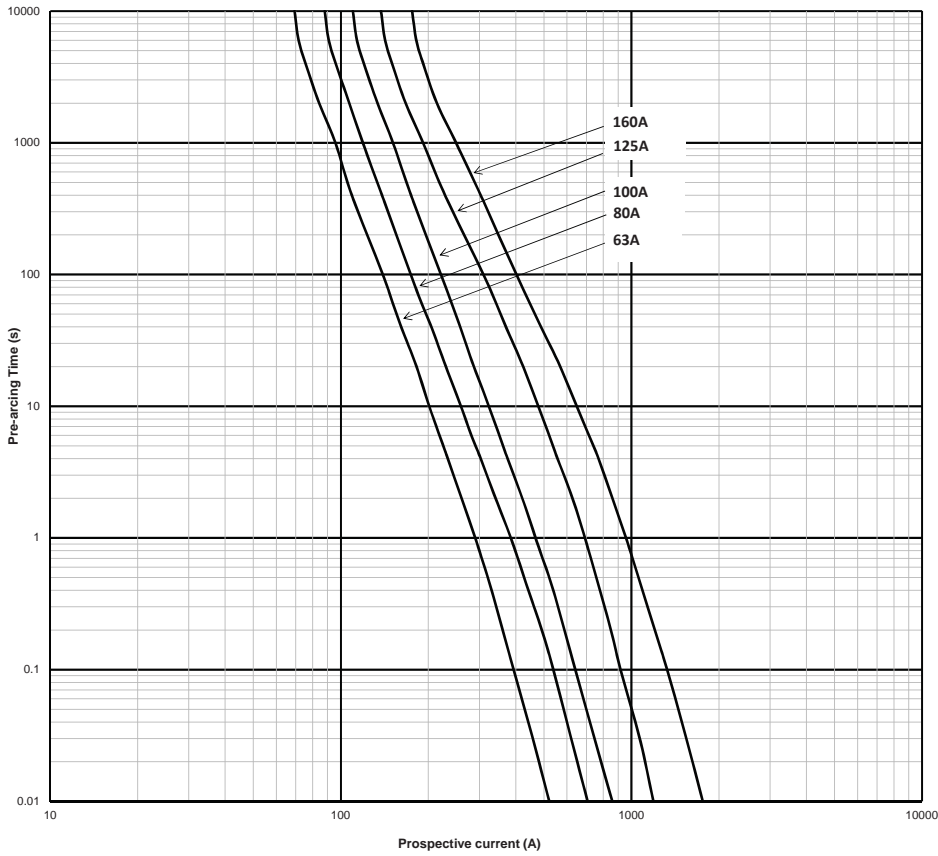
**Dimensions mm - NH2 Bolted fuse links**



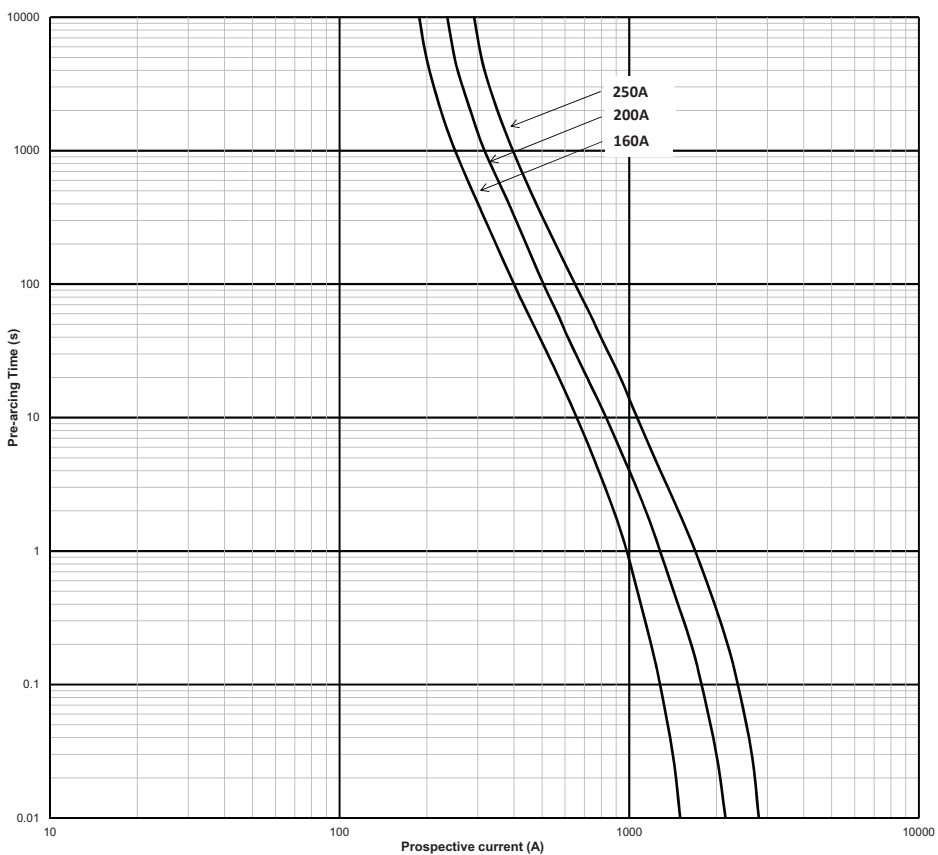
**Dimensions mm - NH3 Bolted fuse links**



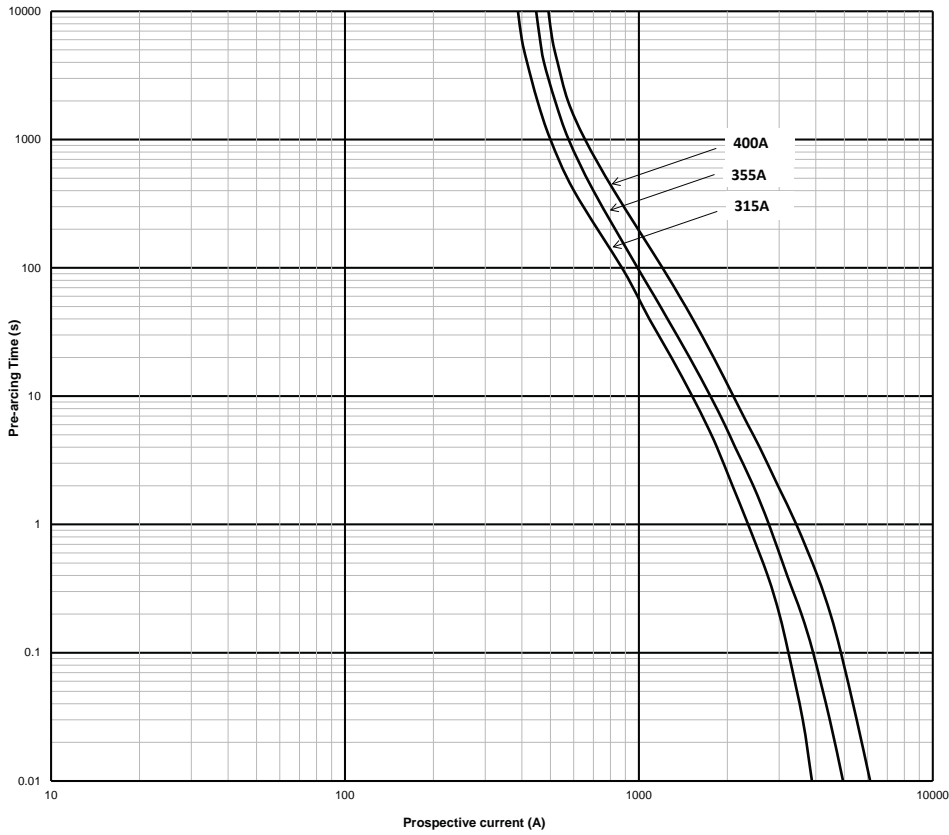
**Time-current curve - NH1 fuse links**



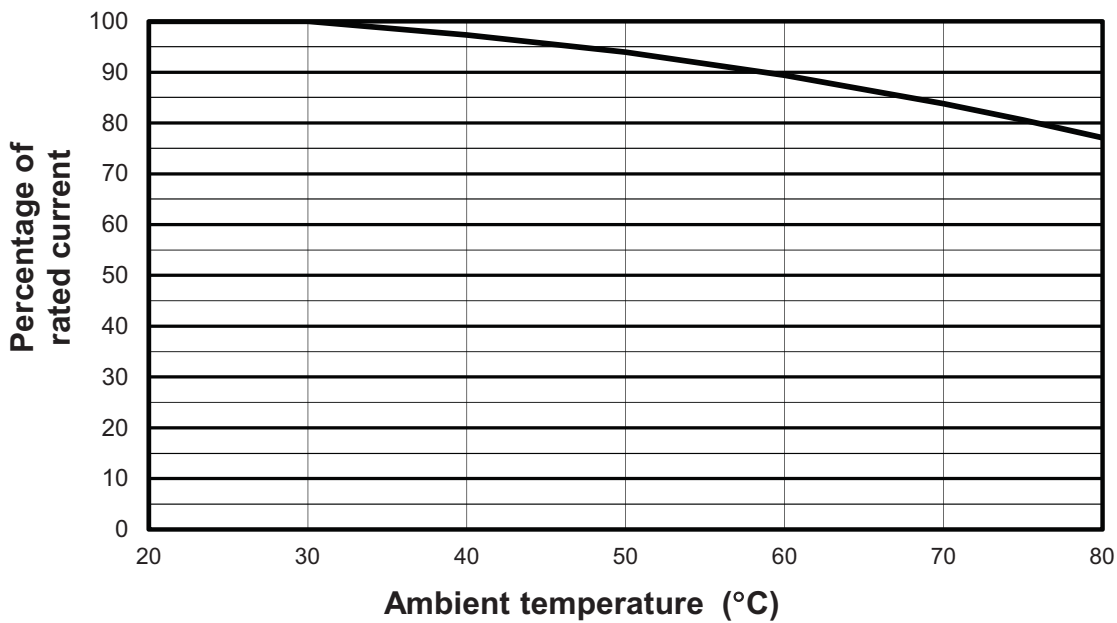
**Time-current curve - NH2 fuse links**



**Time-current curve - NH3 fuse links**

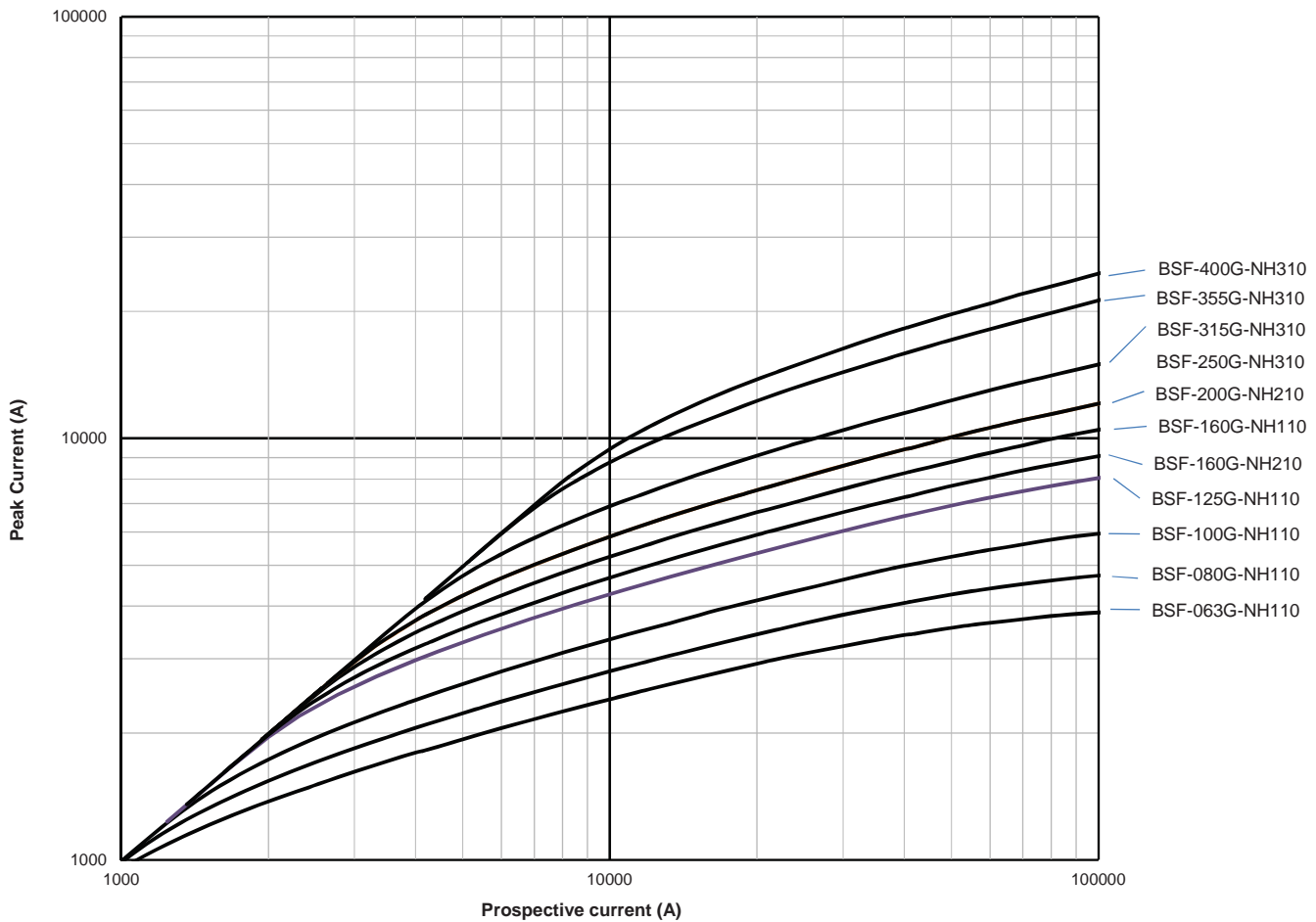


**Temperature derating curve**



(The ambient temperature is that local to the fuse link)

Peak let-through curve



The only controlled copy of this data sheet is the electronic read-only version located on the Eaton network drive. All other copies of this document are by definition uncontrolled. This bulletin is intended to clearly present comprehensive product data and provide technical information that will help the end user with design applications. Eaton reserves the right, without notice, to change design or construction of any products and to discontinue or limit distribution of any products. Eaton also reserves the right to change or update, without notice, any technical information contained in this bulletin. Once a product has been selected, it should be tested by the user in all possible applications.

Changes to the products, to the information contained in this document, and to prices are reserved; so are errors and omissions. Only order confirmations and technical documentation by Eaton is binding. Photos and pictures also do not warrant a specific layout or functionality. Their use in whatever form is subject to prior approval by Eaton. The same applies to Trademarks (especially Eaton, Moeller, and Cutler-Hammer). The Terms and Conditions of Eaton apply, as referenced on Eaton Internet pages and Eaton order confirmations.

**Eaton**  
EMEA Headquarters  
Route de la Longeraie 7  
1110 Morges, Switzerland

Electrical Sector  
Eaton Electrical Products Limited  
Unit 1, Hawker Business Park,  
Melton Road, Burton-on-the-Wolds  
LE12 5TH, UK  
Eaton.com

© 2020 Eaton  
All Rights Reserved  
PDF Only  
Publication No. 135001  
June 2020