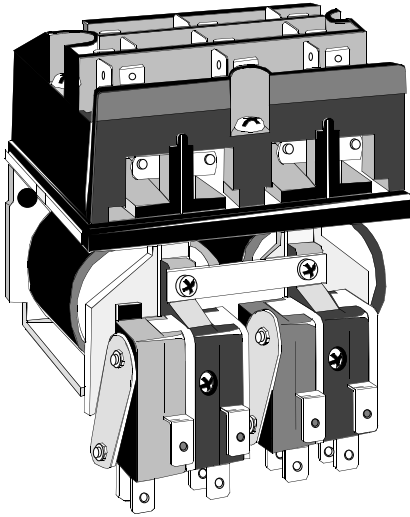




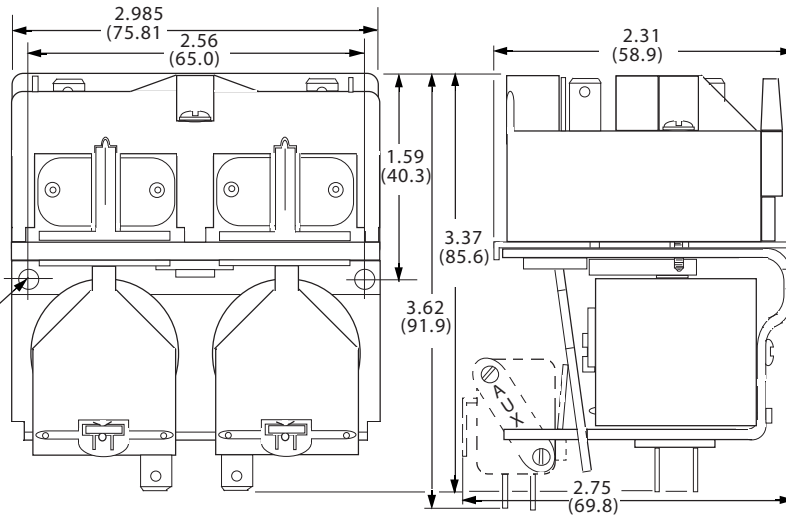
275 SERIES compact motors reversing contactor find extensive applications in the Industrial door operator Industry, the hoist Industry and electronic wheel balancers, to name a few. The 275 has Q.C. coil terminals extending out the back (opposite the contact terminals), mechanically interlocked armatures is a standard feature.



UP  
↑  
RECOMMENDED  
MOUNTING POSITION

.187 (4.76)  
2 holes for  
#8 screws

**OUTLINE DIMENSIONS**  
Dimensions shown in Inch and (Millimeters)



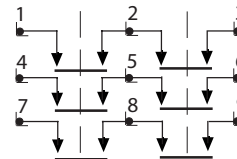
**STRUTHERS-DUNN**

ORDERING CODE				
Typical Type No.	A275	KXX	90	-24A
Series	_____			
A275, 1/4" Terminals, motor reversing.				
Continuous, 1 & 2 Hp, 3 pole models				
Contact Arrangements	_____			
KXX (3PDM-NO., per coil)				
Options	_____			
2 Aux. contacts, each SPDT				
(1 per coil) 1/4" Q.C. terminals - CODE 90				
4 Aux. contacts, each SPDT				
(2 per coil) 1/4" Q.C. terminals - CODE 91				
Rectified Coil - CODE V2				
Coil Voltage	_____			
AC12, 24, 110, 120, 220, 240 (Add "A")				
DC: 12, 24, 32, 48, 120 (Add "D")				

OPTIONS (CONSULT FACTORY)

**WIRING DIAGRAM**

TOP VIEW  
Main contact terminals are numbered on contactor



Auxiliary contact  
Snap S switches

# MOTOR REVERSING CONTACTOR, 1 & 3 HP, 6 POLE

## GENERAL SPECIFICATIONS (@ 25<sup>0</sup> C)

<b>COIL</b>	
Pull-in Voltage:	AC: 85%, DC: 80% of nominal voltage measured at 25 <sup>0</sup> C
Dropout Voltage:	10% of nominal voltage or more @ 25 <sup>0</sup> C
Max. allowed voltage:	110% of nominal voltage
Coil Resistance:	±10% Measured @ 25 <sup>0</sup> C
<b>CONTACTS</b>	
Contact Material:	Silver Cadmium Oxide.
<b>TIMING</b>	
Operate Time:	50 mS Max. @ Nominal Voltage.
Release Time:	30 mS Max. @ Nominal Voltage.
<b>DIELECTRIC STRENGTH</b>	
All Mutually Insulated Points:	2500 V rms between all mutually Insulated current carrying parts and those parts to ground.
Insulation Resistance:	500 VDC Exceeds 1000 Megohms.
<b>TEMPERATURE</b>	
Temperature Rating:	AC: -45 <sup>0</sup> C to +50 <sup>0</sup> C @ rated operation. DC: -45 <sup>0</sup> C to +70 <sup>0</sup> C @ rated operation.
<b>LIFE EXPECTANCY</b>	
Mechanical:	5 Million Operations no load
Electrical:	100,000 Operations @ Rated Load. 500,000 Operations @ 1/2 rated load.
<b>MISCELLANEOUS</b>	
Weight:	1 pound, approx..

### CONTACT RATINGS

AC CONTACTS: Rated with all contacts in use, not rated per pole.

VOLTAGE (60HZ)	PHASE	MOTOR LOADS (HP)	RESISTIVE LOAD (AMPS)
120	1 - 2 - 3	1	15
240	1	1.5	10
240	2 - 3	3	10
480/600	2 - 3	3	5

### DC COIL SPECIFICATIONS @ 25<sup>0</sup> C

Nominal Voltage	Resistance Ohms ± 10%	Power Consumption
12	31.0	4.5W
24	125	4.6W
32	210	4.9W
48	500	4.6W
120	3240	4.4W

Polypropylene encapsulated coils

### DC CONTACTS

VOLTAGE (DC)	RESISTIVE LOAD (AMPS)
30	15
125	5

600 volt spacing to ground.  
300 volt spacing for auxiliary contacts.

### AC COIL SPECIFICATIONS @ 25<sup>0</sup> C

Nominal Voltage	Resistance Ohms ± 10%	Power Consumption
12V/50-60hz	1.24	17VA
24V/50-60hz	4.63	16.7VA
110V/50-120V/60hz	125	16.8VA
220V/50-240V/60hz	500	16.8VA