

# Model 8

## Current Transformer Window Diameter 3.25"

### Application

Metering.

### Frequency

50-400 Hz.

### Insulation Level

600 Volt, 10 kV BIL full wave.

Terminal are brass studs No. 8-32 with one flatwasher, lockwasher and regular nut.

Flexible leads are UL 1015, 105°C, CSA approved, #16 AWG, 24" long. Non-standard, lead length can be specified.

Model 8SHT also available as 8SHL with leads.

Order mounting bracket kit 0221B00183 separately for model 8SHT.

Order bus bar mounting kit 0221A26074 separately, factory installed.

Approximate weight 2.5 lbs.

Model 7ASHT



REGULATORY AGENCY APPROVALS  
 E93779  LR89403  
 Manufactured to meet the requirements of ANSI/IEEE C57.13.  
 Classified by U.L. in accordance with IEC 44-1

### Data Table: Model 8

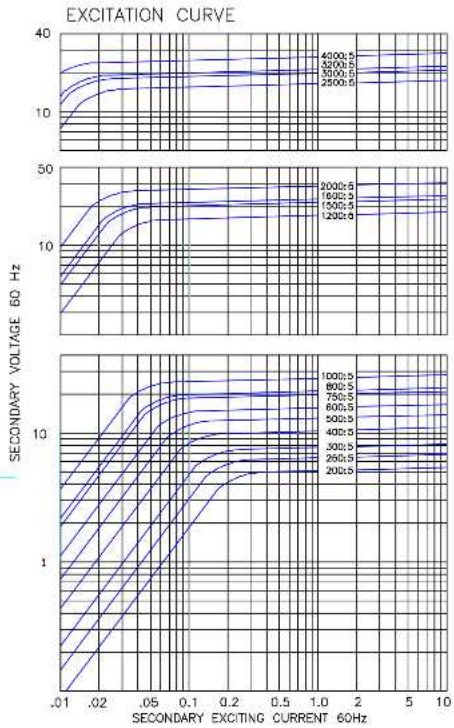
Catalog Number	Current Ratio	V.A. ± 1% Class	ANSI Metering Class at 60 Hz					Secondary Winding Resistance (Ω @ 75 °C)	Continuous Thermal Rating Factor	
			B0.1	B0.2	B0.5	B0.9	B1.8		@ 30 °C	@ 55 °C
8**—201	200:5	5.0	1.2	1.2	2.4	4.8	4.8	0.030	2.0	2.0
8**—251	250:5*	7.5	0.6	0.6	1.2	2.4	4.8	0.044	2.0	2.0
8**—301	300:5*	15.0	0.6	0.6	1.2	2.4	2.4	0.049	2.0	2.0
8**—401	400:5*	25.0	0.3	0.3	0.6	1.2	2.4	0.079	2.0	1.5
8**—501	500:5*	35.0	0.3	0.3	0.6	0.6	1.2	0.102	2.0	1.5
8**—601	600:5*	50.0	0.3	0.3	0.6	0.6	1.2	0.147	1.5	1.33
8**—751	750:5*	50.0	0.3	0.3	0.6	0.6	1.2	0.184	1.5	1.0
8**—801	800:5*	60.0	0.3	0.3	0.3	0.6	0.6	0.197	1.5	1.0
8**—102	1,000:5*	75.0	0.3	0.3	0.3	0.6	0.6	0.246	1.33	1.0
8**—122	1,200:5*	75.0	0.3	0.3	0.3	0.3	0.6	0.169	1.5	1.0
8**—152	1,500:5*	90.0	0.3	0.3	0.3	0.3	0.6	0.316	1.33	1.0
8**—162	1,600:5*	100.0	0.3	0.3	0.3	0.3	0.6	0.337	1.33	0.8
8**—202	2,000:5*	120.0	0.3	0.3	0.3	0.3	—	0.422	1.0	0.8
8**—252	2,500:5*	50.0	0.3	0.3	0.3	0.3	—	0.438	1.0	0.8
8**—302	3,000:5	60.0	0.3	0.3	0.3	0.3	—	0.526	1.0	0.8
8**—322	3,200:5	70.0	0.3	0.3	0.3	0.3	—	0.561	1.0	0.8
8**—402	4,000:5	80.0	0.3	0.3	0.3	0.3	—	0.973	0.8	0.8

\*\*Note: When ordering, prefix Cat No. with model designation required i.e. 8SHT-201, 8RL-301, etc.

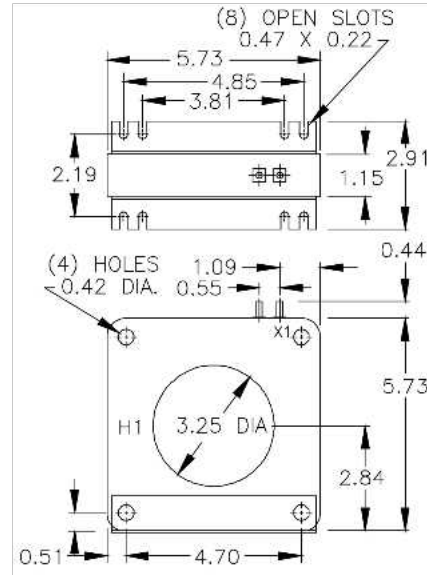
\*Approved for fevenue metering by Industry Canada No. T-188



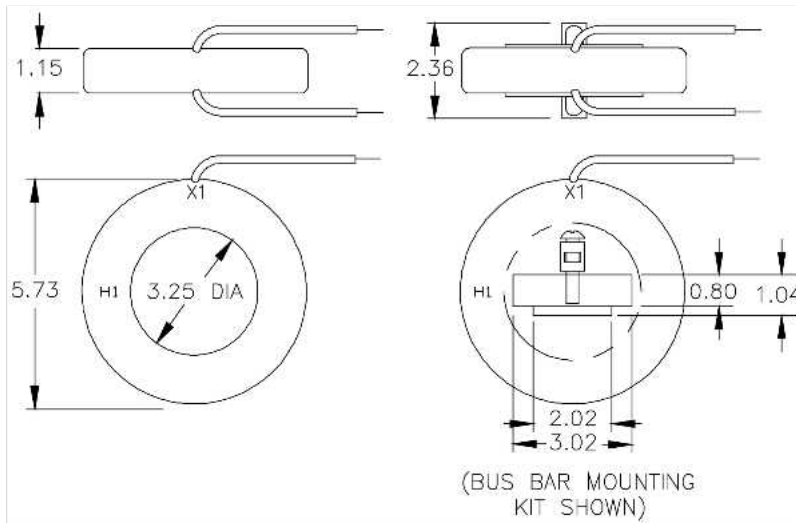
# Model 8



## Model 8SHT



## Model 8RL



### [GEGridSolutions.com](http://GEGridSolutions.com)

Grid-AIS-L4-ITL\_Model\_8-1218-2017\_05-EN. © Copyright 2017. General Electric Company and Instrument Transformers LLC reserve the right to change specifications of described products at any time without notice and without obligation to notify any person of such changes.

### Worldwide Contact Center

Web: [www.GEGridSolutions.com/contact](http://www.GEGridSolutions.com/contact)

Phone: +44 (0) 1785 250 070

USA and Canada: +1 (0) 800 547 8629

Europe, Middle East and Africa: +34 (0) 94 485 88 00

