

# Model 788MR

**Current Transformer  
Window Diameter 4.00"**

## Application

Relaying.

## Frequency

50-400 Hz.

## Insulation Level

0.6 kV, BIL 10 kV full wave.

## Continuous Thermal Current Rating Factor

2.0 at 30°C. amb., 1.5 at 55°C. amb.

Secondary terminals are brass screws  
No. 10-32 with one flatwasher,  
lockwasher.

Approximate weight 20 lbs

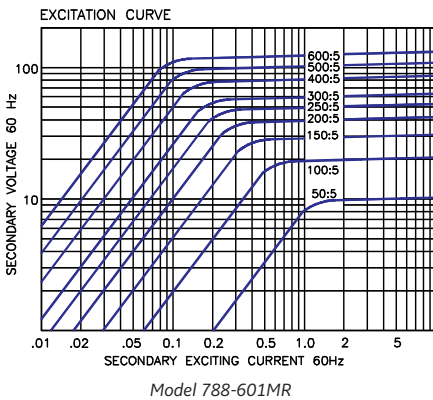


## Model 788MR

Catalog Number	Relay Class
788-601MR	C100
788-122MR	C200
788-202MR	C200

## Model 788MR

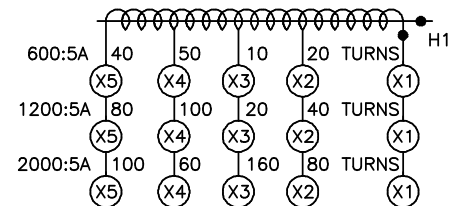
Ratio	Tap
50:5	X2-X3
100:5	X1-X2
150:5	X1-X3
200:5	X4-X5
250:5	X3-X4
300:5	X2-X4
400:5	X1-X4
450:5	X3-X5
500:5	X2-X5
600:5	X1-X5
Ratio	DCR Ω @ 75°C
50:5	0.022
100:5	0.043
150:5	0.068
200:5	0.090
250:5	0.113
300:5	0.135
400:5	0.180
450:5	0.203
500:5	0.225
600:5	0.270



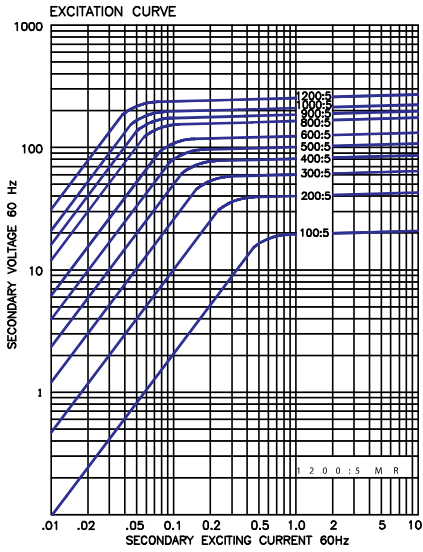
## REGULATORY AGENCY APPROVALS



Manufactured to meet the requirements of ANSI/IEEE C57.13.  
Classified by U.L. in accordance with IEC 44-1

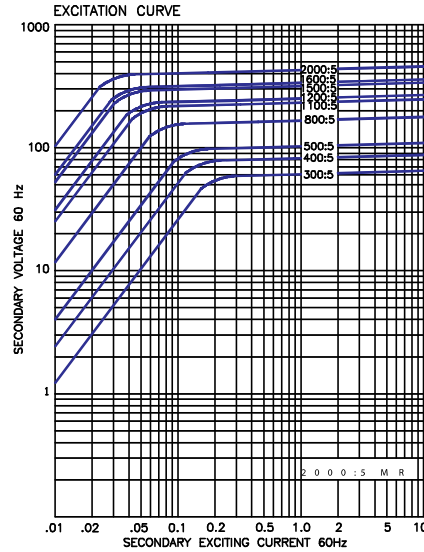


# Model 788MR



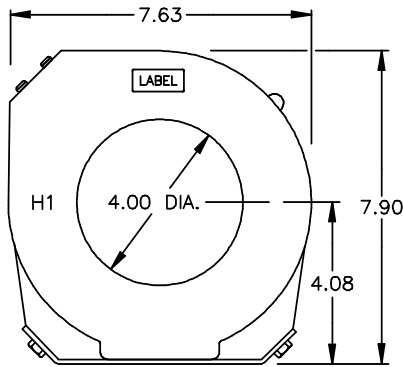
## Model 788MR

Ratio	Tap
100:5	X2-X3
200:5	X1-X2
300:5	X1-X3
400:5	X4-X5
500:5	X3-X4
600:5	X2-X4
800:5	X1-X4
900:5	X3-X5
1000:5	X2-X5
1200:5	X1-X5
Ratio	DCR Ω @ 75°C
100:5	0.031
200:5	0.062
300:5	0.093
400:5	0.124
500:5	0.155
600:5	0.186
800:5	0.248
900:5	0.279
1000:5	0.310
1200:5	0.389

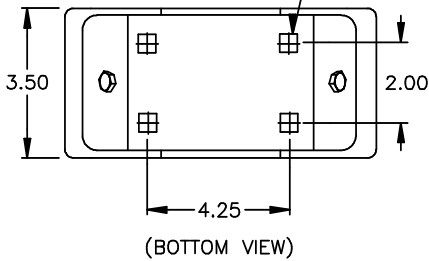


## Model 788MR

Ratio	Tap
300:5	X3-X4
400:5	X1-X2
500:5	X4-X5
800:5	X2-X3
1100:5	X2-X4
1200:5	X1-X3
1500:5	X1-X4
1600:5	X2-X5
2000:5	X1-X5
Ratio	DCR Ω @ 75°C
300:5	0.117
400:5	0.156
500:5	0.195
800:5	0.312
1100:5	0.429
1200:5	0.488
1500:5	0.610
1600:5	0.651
2000:5	0.814



BASEPLATE HAS  
(4) 0.47 SQUARE HOLES  
FOR CAPTIVE NUTS



## GEGridSolutions.com

Grid-AIS-L4-ITL\_Model\_788MR-1368-2017\_06-EN. General Electric Company and Instrument Transformers LLC reserve the right to change specifications of described products at any time without notice and without obligation to notify any person of such changes.

### Worldwide Contact Center

Web: [www.GEGridSolutions.com/contact](http://www.GEGridSolutions.com/contact)

Phone: +44 (0) 1785 250 070

USA and Canada: +1 (0) 800 547 8629

Europe, Middle East and Africa: +34 (0) 94 485 88 00

