

# GE

## Energy Connections

# Model 76

## Current Transformer Window Diameter 3.00"

### Application

With ammeters, wattmeters, and cross current compensation.

### Frequency

50-400 Hz.

### Insulation Level

600 Volt, 10 kV BIL full wave.

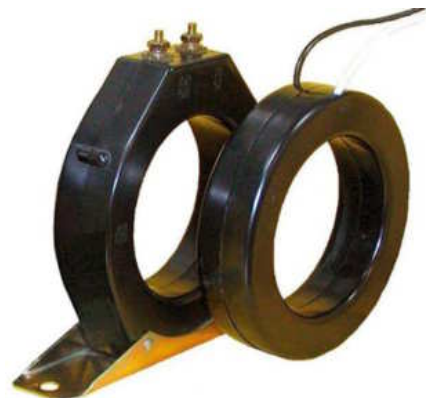
Flexible leads are UL 1015, 105 °C, CSA approved, #16 AWG, 24" long.

Non-standard, lead length can be specified.

Terminals are brass studs No. 8-32 with one flatwasher, lockwasher and regular nut.

SFT case styles also available as SFL with leads.

Approximate weight 1.5 lbs.



Models 76RBT and 76RL Shown



### Data Table: Model 76

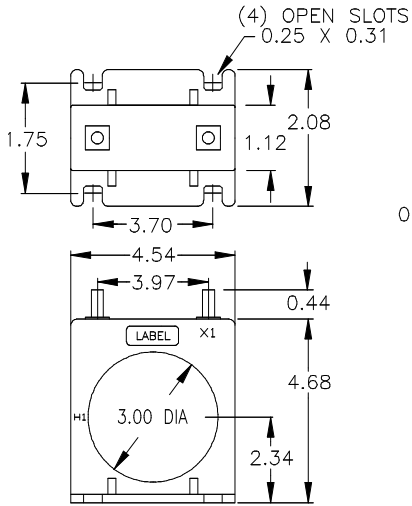
| Catalog Number | Current Ratio | Accuracy at 60 Hz | Burden VA at 60 Hz |
|----------------|---------------|-------------------|--------------------|
| 76**–201       | 200:5         | ± 1%              | 5.0                |
| 76**–251       | 250:5         | ± 1%              | 5.0                |
| 76**–301       | 300:5         | ± 1%              | 6.0                |
| 76**–401       | 400:5         | ± 1%              | 10.0               |
| 76**–501       | 500:5         | ± 1%              | 10.0               |
| 76**–601       | 600:5         | ± 1%              | 10.0               |
| 76**–751       | 750:5         | ± 1%              | 10.0               |
| 76**–801       | 800:5         | ± 1%              | 12.5               |
| 76**–102       | 1000:5        | ± 1%              | 10.0               |
| 76**–122       | 1200:5        | ± 1%              | 10.0               |
| 76**–152       | 1500:5        | ± 1%              | 12.5               |
| 76**–162       | 1600:5        | ± 1%              | 12.5               |
| 76**–202       | 2000:5        | ± 1%              | 15.0               |

\*\*Note: When ordering, prefix Cat No. with model designation required i.e. 76RL–201, 76RBL–251, etc.

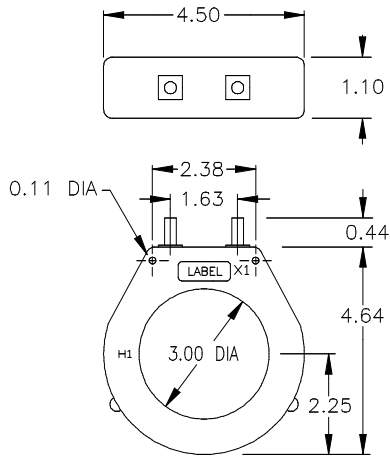


# Model 76

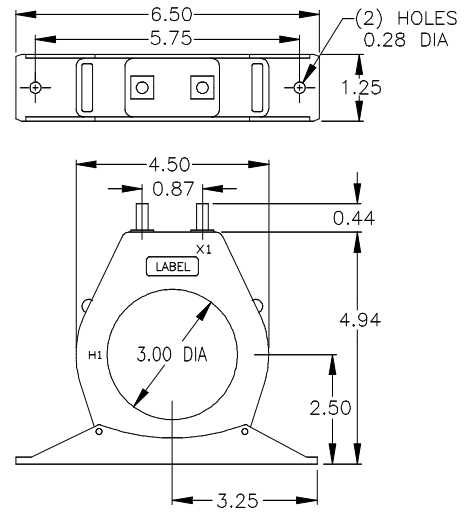
**Model 76SFT**



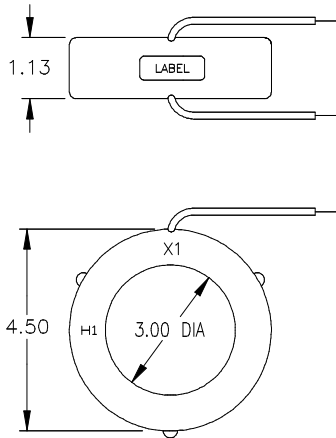
**Model 76RT**



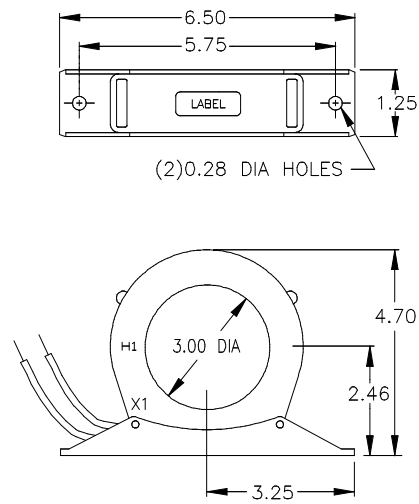
**Model 76RBT**



**Model 76RL**



**Model 76RBL**



[GEGridSolutions.com](http://GEGridSolutions.com)

Grid-AIS-L4-ITL\_Model\_76-1553-2017\_05-EN. © Copyright 2017. General Electric Company and Instrument Transformers LLC reserve the right to change specifications of described products at any time without notice and without obligation to notify any person of such changes.

**Worldwide Contact Center**

Web: [www.GEGridSolutions.com/contact](http://www.GEGridSolutions.com/contact)

Phone: +44 (0) 1785 250 070

USA and Canada: +1 (0) 800 547 8629

Europe, Middle East and Africa: +34 (0) 94 485 88 00

