

GE

Energy Connections

Model 623

Current Transformer Window Diameter 6.50"

Application

Relaying and metering.

Frequency

50-400 Hz.

Insulation Level

600 Volts, 10 kV BIL full wave.

Continuous Thermal Current Rating Factor

50:5-4000:5: 1.33 at 30°C. amb., 1.0 at 55°C. amb.

5000:5: 1.0 at 30°C. amb., 0.8 at 55°C. amb.

Secondary terminals are brass screws No. 10-32 with one flatwasher, lockwasher, accessible from either side.

Multi-ratios available on request.
Consult Factory

Approximate weight 24 lbs



REGULATORY AGENCY APPROVALS



Manufactured to meet the requirements of ANSI/IEEE C57.13.
Classified by U.L. in accordance with IEC 44-1

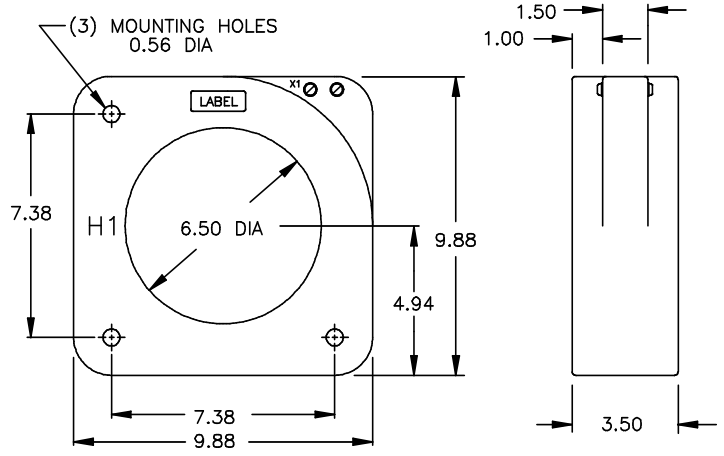
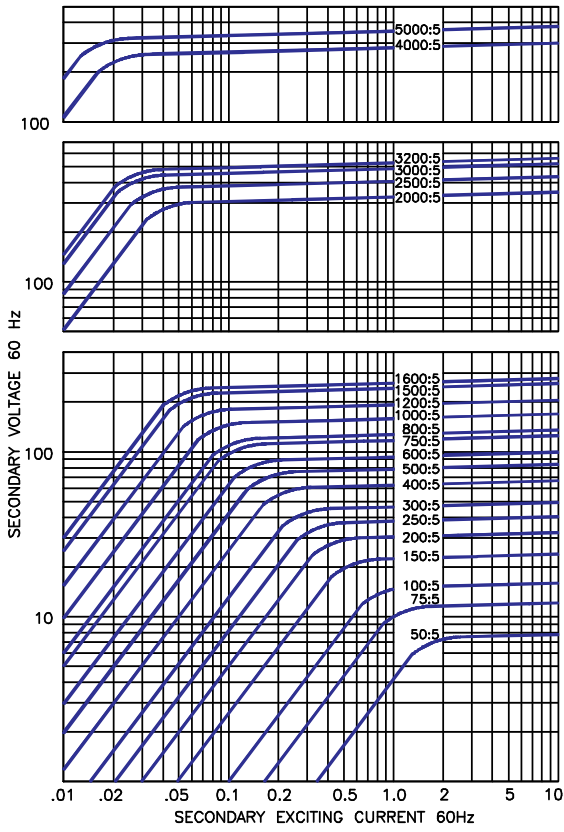
Model 623

Catalog Number	Current Ratio	Relay Class	ANSI Metering Class at 60 HZ					Secondary Winding Resistance (Ω @ 75°C)
			BO.1	BO.2	BO.5	BO.9	B1.8	
623-500	50:5	—	4.8	—	—	—	—	0.015
623-750	75:5	C10	4.8	4.8	—	—	—	0.023
623-101	100:5	C10	2.4	2.4	4.8	—	—	0.030
623-151	150:5	C20	1.2	1.2	2.4	4.8	4.8	0.048
623-201	200:5	C20	0.6	1.2	2.4	2.4	4.8	0.063
623-251	250:5	C20	0.6	0.6	1.2	2.4	2.4	0.079
623-301	300:5	C20	0.3	0.3	0.6	1.2	1.2	0.095
623-401	400:5	C50	0.3	0.3	0.6	0.6	1.2	0.127
623-501	500:5	C50	0.3	0.3	0.3	0.6	0.6	0.159
623-601	600:5	C50	0.3	0.3	0.3	0.3	0.6	0.190
623-751	750:5	C100	0.3	0.3	0.3	0.3	0.3	0.238
623-801	800:5	C100	0.3	0.3	0.3	0.3	0.3	0.254
623-102	1000:5	C100	0.3	0.3	0.3	0.3	0.3	0.317
623-122	1200:5	C100	0.3	0.3	0.3	0.3	0.3	0.381
623-152	1500:5	C200	0.3	0.3	0.3	0.3	0.3	0.598
623-162	1600:5	C200	0.3	0.3	0.3	0.3	0.3	0.638
623-202	2000:5	C200	0.3	0.3	0.3	0.3	0.3	0.583
623-252	2500:5	C200	0.3	0.3	0.3	0.3	0.3	0.729
623-302	3000:5	C200	0.3	0.3	0.3	0.3	0.3	1.096
623-322	3200:5	C200	0.3	0.3	0.3	0.3	0.3	1.169
623-402	4000:5	C200	0.3	0.3	0.3	0.3	0.3	1.065
623-502	5000:5	C200	0.3	0.3	0.3	0.3	0.3	2.071



Model 623

EXCITATION CURVE



GEGridSolutions.com

Grid-AIS-L4-ITL_Model_623-1354-2017_06-EN. © Copyright 2017. General Electric Company and Instrument Transformers LLC reserve the right to change specifications of described products at any time without notice and without obligation to notify any person of such changes.

Worldwide Contact Center

Web: www.GEGridSolutions.com/contact

Phone: +44 (0) 1785 250 070

USA and Canada: +1 (0) 800 547 8629

Europe, Middle East and Africa: +34 (0) 94 485 88 00

