

# Model 614

## Current Transformer with Split Core / Clamp On Window Size 0.75”x 0.75”

### Application

For energy management systems and instrumentation equipment.

### Frequency

50-400 Hz.

### Insulation Level

0.6 kV, BIL 10 kV full wave.

### Continuous Thermal Current Rating Factor

1.33 at 30 °C. amb,  
1.0 at 55 °C. amb.

### Construction

The core and winding are encased in U.L. approved plastic.

Flexible leads are UL 1015, 105 ° C , #18 AWG, 36” long unless otherwise specified.

Approximate Weight 0.4 lbs.



REGULATORY AGENCY APPROVALS



## Model 614

Catalog Number	Current Ratio	Burden VA	Accuracy at 60 Hz
614-101-0.1	100:0.1	1%	5 ohm
614-201-0.1	200:0.1	1%	5 ohm



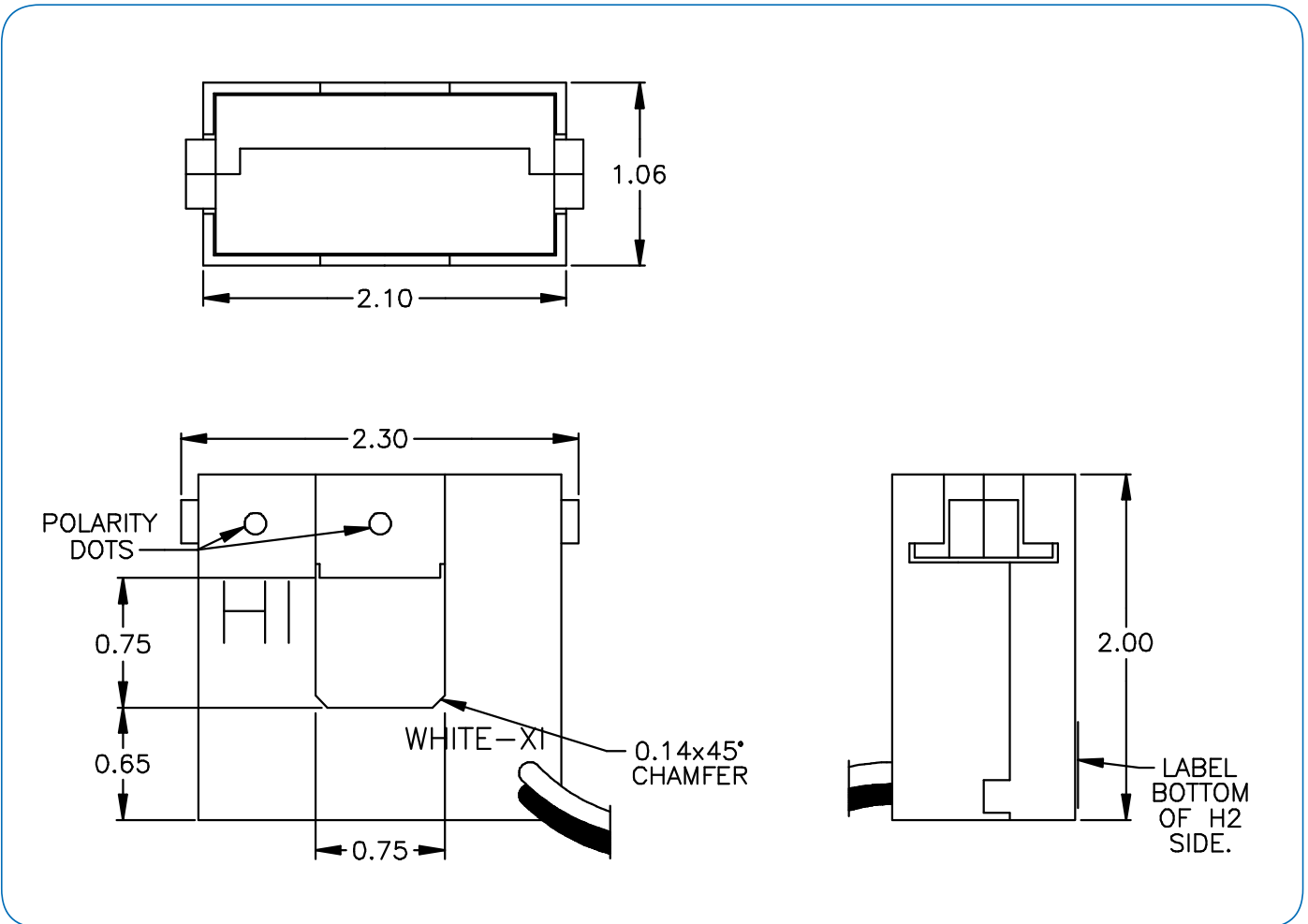
## Model 614 Split Core / Clamp On

This transformer is designed for assembly to an existing electrical installation without the need for dismantling the primary bus or cables.

### Caution:

Proper safety precautions must be followed during installation by a trained electrician. Never install while bus is energized.

The current transformer must have its secondary terminals short circuited or the burden connected, before energizing the primary circuit.



[GEGridSolutions.com](http://GEGridSolutions.com)

Grid-AIS-L4-ITL\_Model\_614-1562-2017\_06-EN. © Copyright 2017. General Electric Company and Instrument Transformers LLC reserve the right to change specifications of described products at any time without notice and without obligation to notify any person of such changes.

### Worldwide Contact Center

Web: [www.GEGridSolutions.com/contact](http://www.GEGridSolutions.com/contact)

Phone: +44 (0) 1785 250 070

USA and Canada: +1 (0) 800 547 8629

Europe, Middle East and Africa: +34 (0) 94 485 88 00

