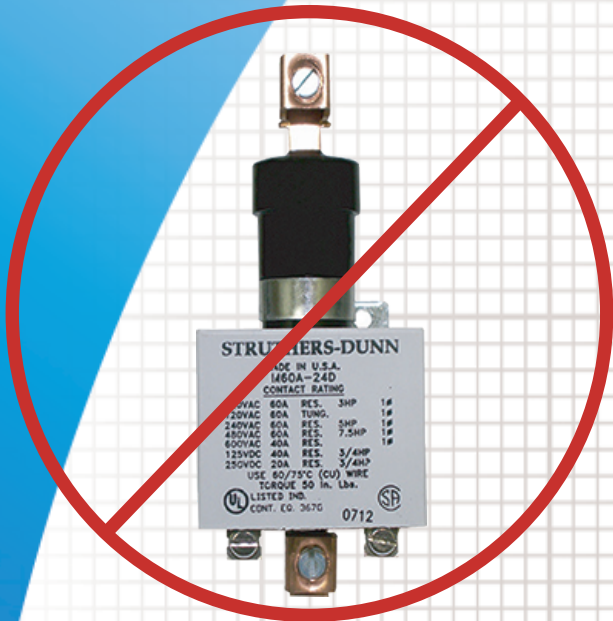


The Solution

To Make Your Traffic Cabinet Mercury Free!

The 418 Series Relay is designed as a direct “drop-in” replacement for existing mercury displacement relays. The 418 Series is a single pole hybrid relay which features an LED indicator to verify circuit power which simplifies trouble-shooting by field maintenance personnel.



*Mercury Displacement
Relay*



*Hybrid Relay Replacement
418 Series*

- Hybrid Technology – Electromechanical and Solid-State relays in parallel
- Drop-in replacement – No need to rewire or drill
- 75 amp rating at 74° C
- Screw-less input terminals – Quick installation
- No Heat sink required – Save space and cost compared to SSR alone
- LED indicator – For safety or trouble-shooting
- Less weight than MDR or SSR/heatsink assembly
- Not position sensitive – Flexible placement in panel

Struthers-Dunn

2295 Hoffmeyer Road
Florence, SC 29501

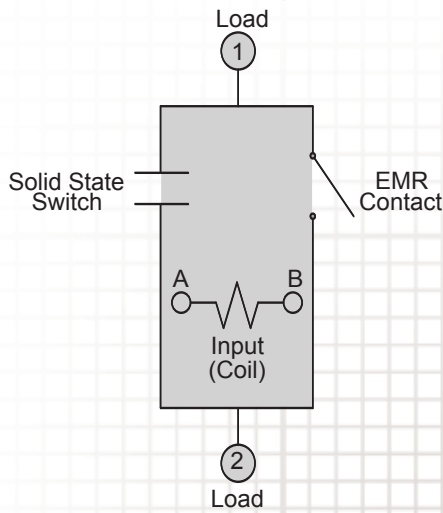
Phone: (843) 664 - 3303 Fax: (843) 662 - 8862
Sales & Technical Email; info@struthers-dunn.com

Visit us at www.struthers-dunn.com

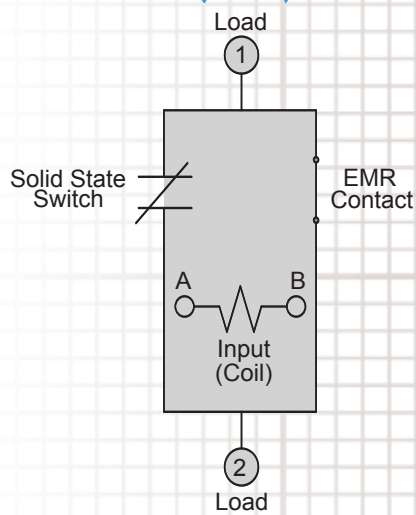
General Specifications

Wire Diagram

Normally Open (AXX)



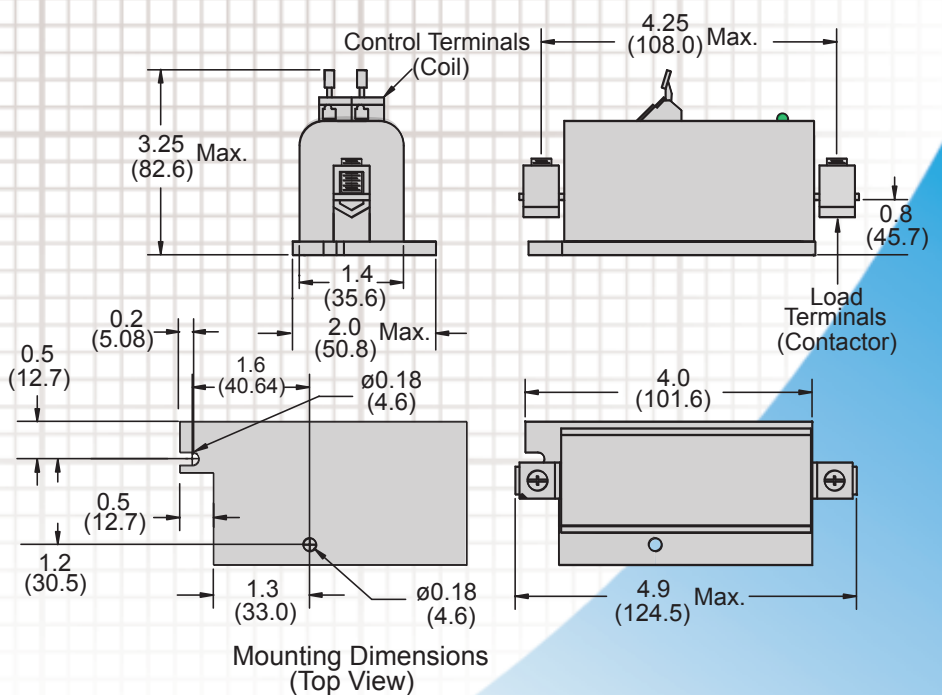
Normally Closed (XXA)



Contacts	418AXXL-120VAC	418XXAL-120VAC
Contact Configuration	SPST - NO	SPST - NC
Component Type	Hybrid Relay	Hybrid Relay
Mounting Type	Panel Mount	Panel Mount
Input Voltage	120VAC	120VAC
Output Voltage Range	24 to 240VAC	24 to 240VAC
Output Characteristics		
Switching Device	Triac + EMR	SCR + EMR
Current Rating	75 A @ 120VAC 60 A @ 240VAC	75 A @ 120VAC 60 A @ 240VAC
Max. Off State Leakage Current [rms]	10mA	10mA
Input Characteristics		
Voltage Range	95 to 135VAC 50/60 Hz	95 to 135VAC 50/60 Hz
Must Release Voltage	12VAC	12VAC
Performance Characteristics		
Electrical Life, Operations at Rated Current	4,000,000	4,000,000
Operate Time (Response Time) - On	.010 s	.010 s
Release Time (Response Time) - Off	.100 s	.100 s
Environment		
Ambient Temperature - Storage	-40 to +100 °C	-40 to +100 °C
Ambient Temperature - Operation	-40 to +75 °C	-40 to +75 °C
Miscellaneous Characteristics		
Input Indicator	Green LED	Green LED
Input Terminal Wire Size	14 AWG Max	14 AWG Max
Output Terminal Wire Size	4-12 AWG	4-12 AWG
Weight	284g (10 oz)	312g (11 oz)

Outline Dimensions

Dimensions shown in inches & (millimeters)



Ordering Code

Ordering Code	418	AXX	L	-120VAC
Series	418			
Contact Arrangement		AXX (Single Pole, N.O.)		
LED			XXA (Single Pole, N.C.)	
Input Voltage				L -120VAC