

Flush end photovoltaic fuse links



Product description

Eaton's Bussmann® series flush end photovoltaic fuse links are specifically designed to protect and isolate photovoltaic array combiners and disconnects.

These fuse links are capable of interrupting low overcurrents associated with faulted PV systems (reverse current, multi-array fault).

Standard features

- Compact design
- Low power loss
- Global accreditations

Catalogue symbol

- PV-ratingAF(size)

Fuse size

- NH 2 and 3

Technical data

- Volts: 1000 V d.c.
- Amps: 160 to 400 A
- Breaking capacity: 50 kA
- Time constant: 1-3mS
- Class of operation: gPV and UL PV fuse links

Standards/Approvals

- IEC 60269-6
- UL 2579 (file number E335324)
- CSA listed
- RoHS compliant

Microswitches

- 170H0236
- 170H0238

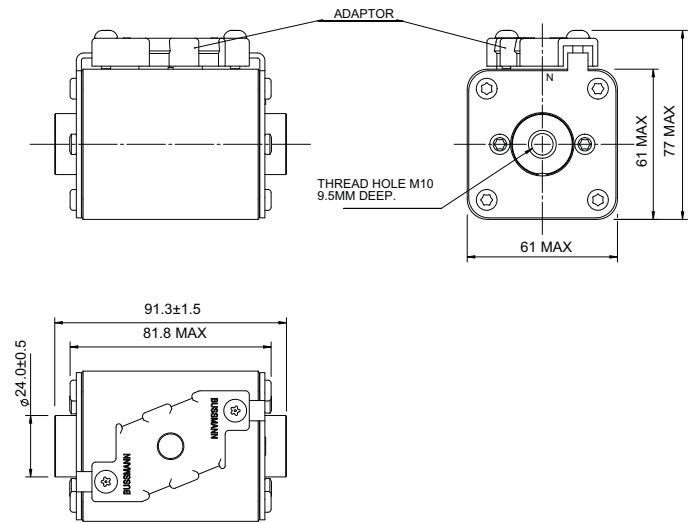
Packaging

- Size 2: 2 per pack
- Size 3: 1 per pack

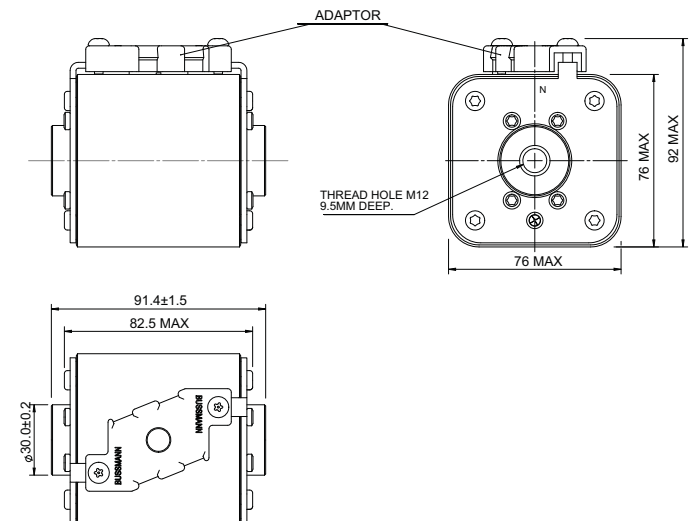
Table 1. Technical data

Catalogue number	Fuse size	Current rating (amps)	Energy integrals I ² t (A ² S)		Watts loss (W)	
			Pre-arcing	Total at 1000 V	0.8I _n	I _n
PV-160AF2	2	160	4600	37000	15	30
PV-200AF2	2	200	9500	76000	17	34
PV-250AF2	2	250	17000	136000	19	38
PV-315AF3	3	315	27000	240000	30	49
PV-355AF3	3	355	37000	350000	31	51
PV-400AF3	3	400	61500	550000	32	52

Dimensions - mm

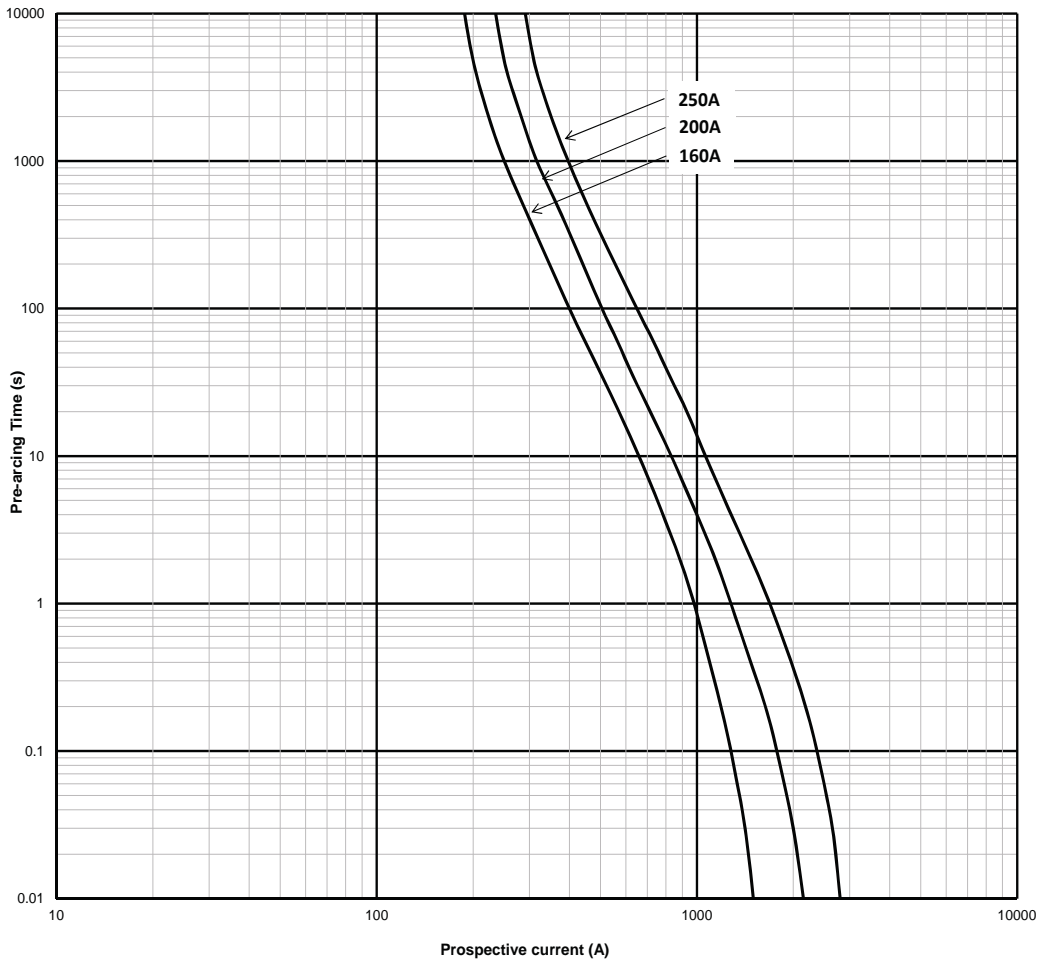


Size 2



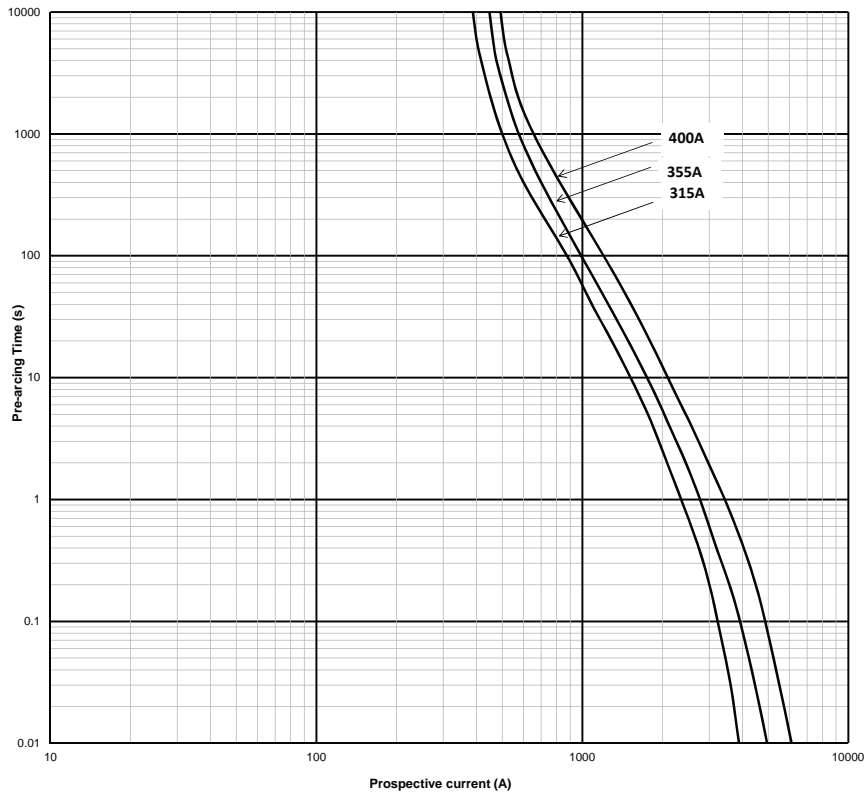
Size 3

Time current-curve - Flush end



Size 2

Time current-curve



Size 3

Changes to the products, to the information contained in this document, and to prices are reserved; so are errors and omissions. Only order confirmations and technical documentation by Eaton is binding. Photos and pictures also do not warrant a specific layout or functionality. Their use in whatever form is subject to prior approval by Eaton. The same applies to Trademarks (especially Eaton, Moeller, and Cutler-Hammer). The Terms and Conditions of Eaton apply, as referenced on Eaton Internet pages and Eaton order confirmations.

Eaton
 EMEA Headquarters
 Route de la Longeraie 7
 1110 Morges, Switzerland

Eaton Electrical Products Limited
 Melton Road
 Burton-on-the-Wolds
 Leicestershire, LE12 5TH
 United Kingdom

© 2017 Eaton
 All Rights Reserved
 PDF Only
 Publication No. 10370
 October 2017