

Product Data Sheet



TERMINAL BLOCK

15XX ST

Replace XX with 02, 04, 06, 08 or 12 for number of poles
Connector is Removable



Wire Range

- For use with prepared wire only

Electrical Ratings

- Amps
 - 75 Amps (when wired with crimp type ring, spade or fork terminal)
- 600 Volts AC/DC (UL 1059 Class C, User Group - General Industrial)
- Short Circuit Current Rated for 10,000 Amps
- Factory & Field Wiring

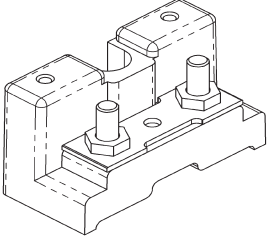
Agency Compliance

- UL Recognized, UL 1059 Terminal Block Standard, File No. XCFR2.E62806
- CSA - certified to C22.2 No. 158, File No. LR19766
- CE compliant to IEC 60947-7-1
- RoHS Compliant

Material Information

- Connector: Brass, nickel plated
- Insulator base:
 - Phenolic
 - Flammability rating of insulator base: UL 94 V-0
 - Insulator base temperature rating: -40°C to 150°C (UL RTI)
- Stud: Plated Brass
- Marking Strips: Vinyl (White)
- Anchor screws: Steel, zinc plated

Termination Specifications

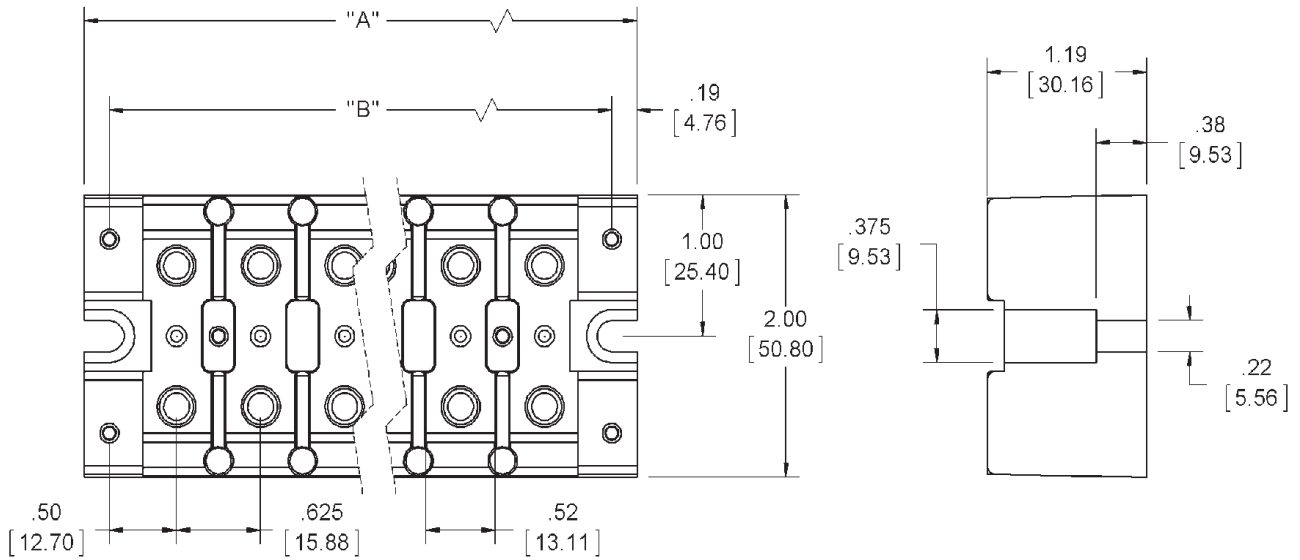
| | | | |
|-----------------------------------------------------------------------------------|----------------------------------|-----------|---------------|
|  | Wire Range/ Terminal Type | Torque | Max Lug Width |
| | Listed Lug, Ring, Fork Terminals | 20 in-lbs | .50" |

Installation & Accessories

- Mounting
 - For use with #10 fastener
 - Recommended mounting torque not to exceed 25-30 in lbs
- Jumper
 - MCJ (Multi-Circuit Jumper) Bar Available: Only sold separately and the marking strip must be removed to assemble MCJ bar on part.
- Cover
 - Clear cover: Thermoplastic, UL Recognized QMFZ2 - order CC 15XX (XX representing number of poles).
- Printed Marker Strips - Consult factory for custom printed applications

| | | | | |
|----------|-----------|-----------|-----------|-----------|
| STYLE 01 | A | B | C | D |
| Example | 1 2 3 4 5 | 5 4 3 2 1 | 1 2 3 4 5 | 5 4 3 2 1 |

Drawing



| Catalog # | # of Poles | A | B |
|-----------|------------|------|------|
| 1504 | 4 | 3.25 | 2.88 |
| 1508 | 8 | 4.50 | 4.12 |
| 1508 | 8 | 5.75 | 5.38 |
| 1512 | 12 | 8.25 | 7.88 |